

MAY WE
INTRODUCE:



Our new WISKA installation box
The KA Series

TOGETHER WITH CUSTOMERS FOR CUSTOMERS.



Good ideas are born in more than one head. For the development of the new WISKA installation boxes we have worked closely with electricians to find the best possible solution for our customer's wants and needs. By working with the people who use our products every day we can continue to develop and pioneer new advances and solutions for everyday demands. The new WISKA installation boxes are a result of exactly that. A new edition of our successful classic that will meet practical requirements even better in the future.

More than eighty years of know-how in one box: the WISKA installation box

We have revamped our classic product and created a new generation of the WISKA box. An adapted design that offers a wide range of mounting options, a unique design allowing installations on uneven surfaces as well as our lid retaining clip: the new KA series convinces with its many features and is an original in every respect.



Installation box KA 006

Small Space Talent



Installation box KA 012

The Allrounder



Installation box KA 016

The Space Miracle

The KA series

Improved. Functional. Versatile. For our new installation box series we have talked to electricians about their needs to adapt the box to real installation requirements. And this is our solution.



KA 006

Small but perfectly shaped: The KA 006 convinces with its space-saving design which is perfect when space is a premium.

Technical Data	
Size	86 x 44 x 41 mm
Protection class:	IP55
Glow wire test:	750 °C
Operating temperature	-30 °C to 60 °C
Installation temperature	-5 °C to 60 °C
WISKA No.:	10109426 (light grey, empty)



KA 012

The classic: The KA 012 is our allrounder that is perfect for installations of all kinds.

Technical Data	
Size:	86 x 86 x 41 mm
Protection class:	IP55
Glow wire test:	750 °C
Operating temperature:	-30 °C to 60 °C
Installation temperature:	-5 °C to 60 °C
WISKA No.:	10109427 (light grey, empty)



KA 016

If you need more installation space: The KA 016 is the largest enclosure in the series and is the perfect choice for sizeable installation projects.

Technical Data	
Size:	86 x 125 x 41 mm
Protection class:	IP55
Glow wire test:	750 °C
Operating temperature:	-30 °C to 60 °C
Installation temperature:	-5 °C to 60 °C
WISKA No.:	10109428 (light grey, empty)



Cable retention for added security.

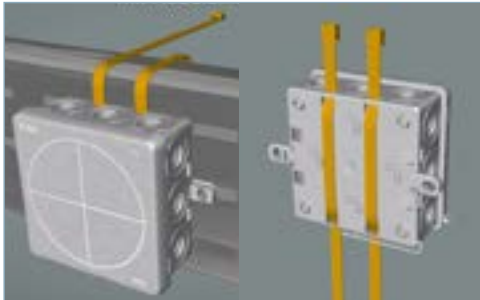
Our cable retention clamp is quick and easy to use, helping to secure your cables safely.



Fixing elements to use e.g. on cable tracks.



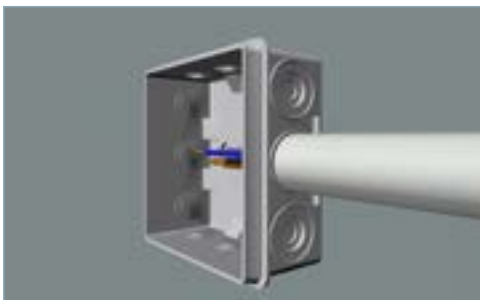
Classic fixture by screws and dowels.



Fixture with cable ties. Conveniently placed all around the rear side.



The lid can be attached to the box so that it cannot be lost or fall down.



The entries of the KA Series are adapted for using M 20 installation conduits so that it can be placed directly onto the box.

One series. Many benefits.

Sticks together

The KA Series is constructed using two types of plastic. The base of the KA is made from a softer plastic (PE) allowing greater flexibility, particular useful when mounting on uneven surfaces. The lid of the KA is made from a more solid type of plastic (PP), when fixed onto the base it helps create a more rigid structure and support. This material mix also makes for a very tight hold of the lid onto the base.

Connection-happy

The new KA series offers flexible mounting options either with cable ties, screws and dowel or with fixing elements. This makes it a solution that can be used in a number of installation scenarios.

Nothing will get lost here

All KA series products feature a retaining clip attachment for the lid, so that it cannot become misplaced. This is especially helpful when working in an overhead situation.

Colour-matched

To indicate different electric circuits or to make the box match with its surroundings the KA range comes in the following colours:



EXPLORE THESE PRODUCT RANGES:



COMBI® junction boxes



WHK installation boxes



Cable entries

About WISKA®

Founded in Hamburg in 1919, we are today one of the leading manufacturers of electrical equipment, lighting products and CCTV video surveillance for trade, industry and shipbuilding. We operate our own research and development facilities and production plants next door at our headquarters in Germany. Our global sales network of representatives and subsidiaries ensure a quick and personal on-site customer service for you. The WISKA Group today employs 260 people worldwide.

Since 100 years: Your expert for good times and quality manufacturing.
All products can be found at www.wiska.com

WISKA Hoppmann GmbH
Kisdorfer Weg 28
24568 Kaltenkirchen
Germany

contact@wiska.de
www.wiska.com