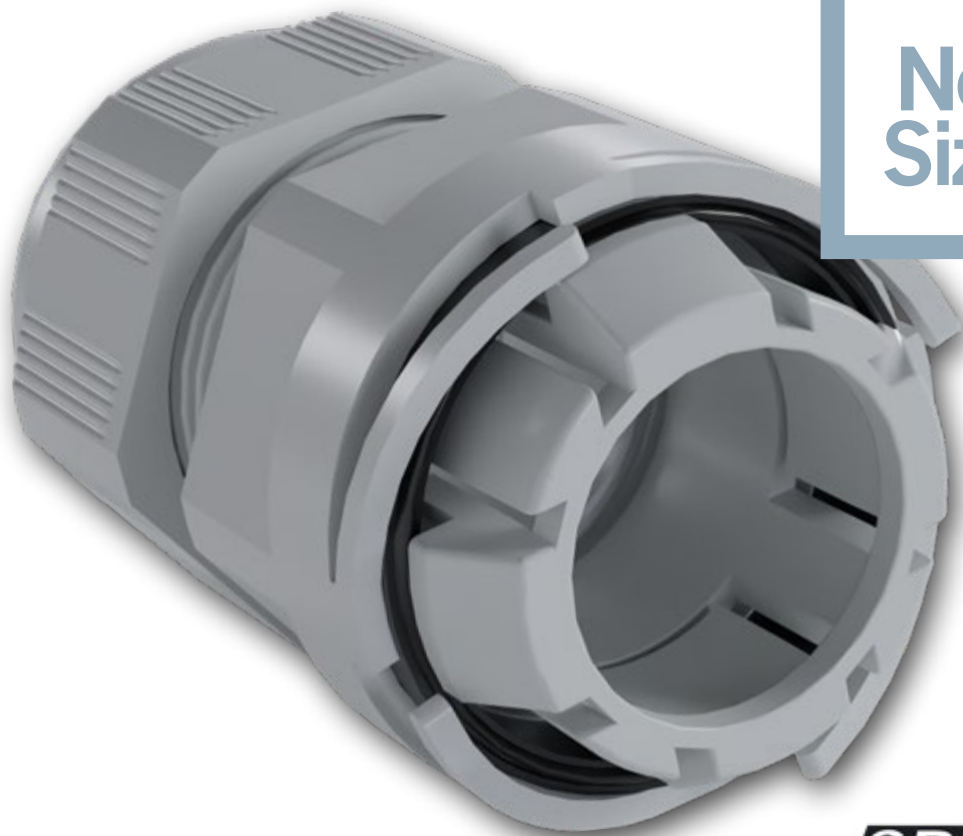


Push-In Cable Gland

Expanding upon our already comprehensive range of cable glands and entries we are pleased to introduce the **ESKV-P – our SPRINT Push-In cable gland**.

An IP68 polyamide cable gland featuring our patented **push-in installation system**, saving users **time and money**.



New
Sizes

SPRINT
by WISKA

Why use a push-in gland?

The ESKV-P push-in gland is a great option for **fast installation requirements** or situations when access internally to a junction box **or entry point cannot be obtained**.

The unique design allows users to **install** a gland **without the use of a locknut** or threaded entry.



Push-In – How it works

Simple insert the ESKV-P into your entry, twist to tighten and go! **No locknut required** or access to the rear of the gland. This easy to use function makes installation time quick and simple.



Protection class



Material Polyamide



Temp. -40 °C - 100 °C



Glow wire 750 °C



Wall thickness 0.5 - 4.0 mm

The Sizes



32



25



20



16

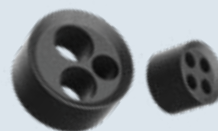


12

Our SPRINT System

SPRINT
by WISKA

Part of the SPRINT System meaning the ESKV-P can be **used with a wide range of inserts** to suit virtually any cable type.



The ESKV-P can be **used with a number of different capnut's** from our SPRINT System, including bend protection and external strain relief.