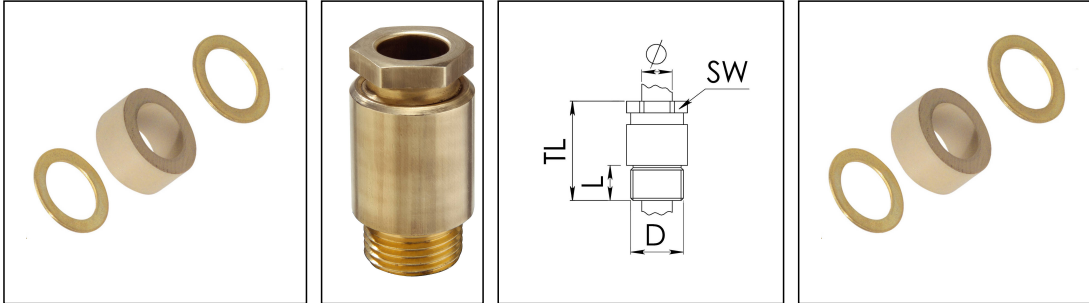


## KVM 80-W67

Cable gland, brass, similar to DIN 89280, M80



Product illustrations are exemplary and may differ from the chosen product. Further variants and individual customization, we will gladly provide you on request.



<b>Material cable gland</b>	Brass
<b>Material sealing gasket</b>	EPDM
<b>Temp. range min</b>	-40 °C
<b>Temp. range max</b>	100 °C
<b>Protection class</b>	IP54
<b>Thread type</b>	M
<b>Ø Connection thread D</b>	80
<b>Lead</b>	2
<b>Length screw-in thread L</b>	18 mm
<b>Ø cable diameter min</b>	64 mm
<b>Ø cable diameter max</b>	68 mm
<b>Key width SW</b>	85 mm
<b>Collar diameter (E)</b>	92 mm
<b>Total length TL</b>	79 mm
<b>Install. torques fitting</b>	30 N m
<b>Install. torques cap nut</b>	30 N m
<b>Advice</b>	* Similar to DIN 89280
<b>Surface</b>	Bright
<b>Order no. bright</b>	10010889
<b>Type</b>	KVM 80-W67
<b>Packing unit</b>	1

20.11.2018

Your Contact:

**WISKA Hoppmann GmbH**

Kisdorfer Weg 28 · 24568 Kaltenkirchen · Germany

☎ +49-4191-508-0 · 📠 +49-4191-508-209

contact@wiska.de · www.wiska.com



Your Contact:  
**WISKA Hoppmann GmbH**  
Kisdorfer Weg 28 · 24568 Kaltenkirchen · Germany  
☎ +49-4191-508-0 · 📠 +49-4191-508-209  
contact@wiska.de · www.wiska.com