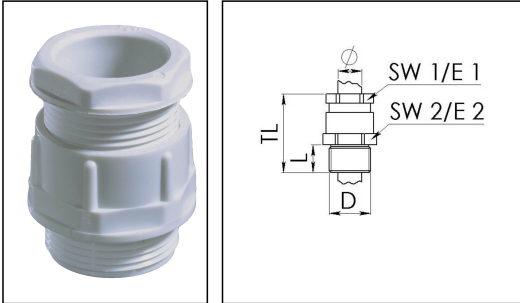


KVG 9

Cone cable gland, polyamide, Pg 9, RAL 7035



Product illustrations are exemplary and may differ from the chosen product. Further variants and individual customization, we will gladly provide you on request.



Material cable gland	Polyamide, fibre reinforced
Temp. range min	-20 °C
Temp. range max	80 °C
Protection class	IP54
Thread type	PG
Ø Connection thread D	9
Length screw-in thread L	8 mm
Ø cable diameter min	4,5 mm
Ø cable diameter max	7 mm
Key width SW1	16 mm
Key width SW2	19 mm
Collar diameter E1	17 mm
Collar diameter E2	21 mm
Total length TL	30 mm
Product Color	RAL 7035
Order no. RAL 7035	10060142
Type	KVG 9
Packing unit	50
ETIM-Classification	EC000441

Recommended accessories

MUG 9	10060671
ADR 9	10061420

Your Contact:

WISKA Hoppmann GmbH

Kisdorfer Weg 28 · 24568 Kaltenkirchen · Germany

☎ +49-4191-508-0 · 📠 +49-4191-508-209

contact@wiska.de · www.wiska.com

15.08.2018

Your Contact:

WISKA Hoppmann GmbH

Kisdorfer Weg 28 · 24568 Kaltenkirchen · Germany

☎ +49-4191-508-0 · 📠 +49-4191-508-209

contact@wiska.de · www.wiska.com

