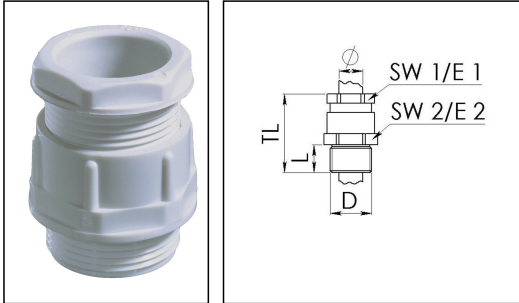


KVG 13,5

Cone cable gland, polyamide, Pg 13,5 RAL 7035



Product illustrations are exemplary and may differ from the chosen product. Further variants and individual customization, we will gladly provide you on request.



Material cable gland	Polyamide, fibre reinforced
Temp. range min	-20 °C
Temp. range max	80 °C
Protection class	IP54
Thread type	PG
Ø Connection thread D	13,5
Length screw-in thread L	9 mm
Ø cable diameter min	9 mm
Ø cable diameter max	12 mm
Key width SW1	21 mm
Key width SW2	24 mm
Collar diameter E1	23 mm
Collar diameter E2	27 mm
Total length TL	35 mm
Product Color	RAL 7035
Order no. RAL 7035	10060144
Type	KVG 13,5
Packing unit	50
ETIM-Classification	EC000441

Recommended accessories

MUG 13,5	10060673
ADR 13,5	10061422

Your Contact:

WISKA Hoppmann GmbH
Kisdorfer Weg 28 · 24568 Kaltenkirchen · Germany
☎ +49-4191-508-0 · 📠 +49-4191-508-209
contact@wiska.de · www.wiska.com

20.08.2018

Your Contact:

WISKA Hoppmann GmbH

Kisdorfer Weg 28 · 24568 Kaltenkirchen · Germany

☎ +49-4191-508-0 · 📠 +49-4191-508-209

contact@wiska.de · www.wiska.com



Your Contact:

WISKA Hoppmann GmbH

Kisdorfer Weg 28 · 24568 Kaltenkirchen · Germany

☎ +49-4191-508-0 · 📠 +49-4191-508-209

contact@wiska.de · www.wiska.com