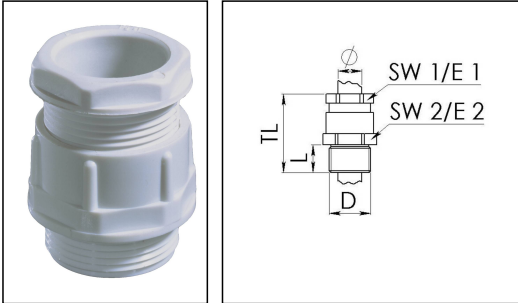


## KVG 16

Cone cable gland, polyamide, Pg 16, RAL 7035



Product illustrations are exemplary and may differ from the chosen product. Further variants and individual customization, we will gladly provide you on request.



<b>Material cable gland</b>	Polyamide, fibre reinforced
<b>Temp. range min</b>	-20 °C
<b>Temp. range max</b>	80 °C
<b>Protection class</b>	IP54
<b>Thread type</b>	PG
<b>Ø Connection thread D</b>	16
<b>Length screw-in thread L</b>	10 mm
<b>Ø cable diameter min</b>	11 mm
<b>Ø cable diameter max</b>	14 mm
<b>Key width SW1</b>	23 mm
<b>Key width SW2</b>	27 mm
<b>Collar diameter E1</b>	26 mm
<b>Collar diameter E2</b>	30 mm
<b>Total length TL</b>	38 mm
<b>Product Color</b>	RAL 7035
<b>Order no. RAL 7035</b>	10060145
<b>Type</b>	KVG 16
<b>Packing unit</b>	50
<b>ETIM-Classification</b>	EC000441

Recommended accessories

<b>MUG 16</b>	10060674
<b>ADR 16</b>	10061423

Your Contact:

**WISKA Hoppmann GmbH**

Kisdorfer Weg 28 · 24568 Kaltenkirchen · Germany

☎ +49-4191-508-0 · 📠 +49-4191-508-209



contact@wiska.de · www.wiska.com

17.11.2018

Your Contact:

**WISKA Hoppmann GmbH**

Kisdorfer Weg 28 · 24568 Kaltenkirchen · Germany

 +49-4191-508-0 ·  +49-4191-508-209

[contact@wiska.de](mailto:contact@wiska.de) · [www.wiska.com](http://www.wiska.com)

