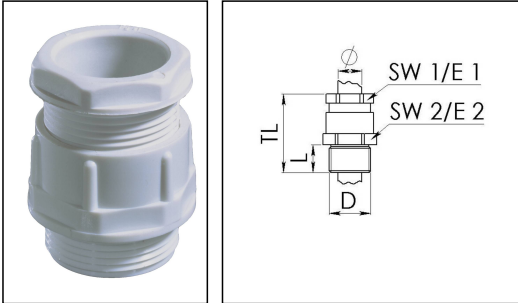


KVG 21

Cone cable gland, polyamide, Pg 21, RAL 7035



Product illustrations are exemplary and may differ from the chosen product. Further variants and individual customization, we will gladly provide you on request.



Material cable gland	Polyamide, fibre reinforced
Temp. range min	-20 °C
Temp. range max	80 °C
Protection class	IP54
Thread type	PG
Ø Connection thread D	21
Length screw-in thread L	11 mm
Ø cable diameter min	14 mm
Ø cable diameter max	18 mm
Key width SW1	30 mm
Key width SW2	33 mm
Collar diameter E1	33 mm
Collar diameter E2	36 mm
Total length TL	43 mm
Product Color	RAL 7035
Order no. RAL 7035	10060146
Type	KVG 21
Packing unit	25
ETIM-Classification	EC000441

Recommended accessories

MUG 21	10060675
ADR 21	10061424

Your Contact:

WISKA Hoppmann GmbH

Kisdorfer Weg 28 · 24568 Kaltenkirchen · Germany

☎ +49-4191-508-0 · 📠 +49-4191-508-209

contact@wiska.de · www.wiska.com

14.11.2018

Your Contact:

WISKA Hoppmann GmbH

Kisdorfer Weg 28 · 24568 Kaltenkirchen · Germany

☎ +49-4191-508-0 · 📠 +49-4191-508-209

contact@wiska.de · www.wiska.com

