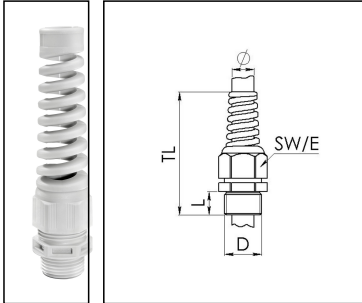


SKVS 7

Cable gland with bend protection, polyamide, Pg 7, RAL 7035



Product illustrations are exemplary and may differ from the chosen product. Further variants and individual customization, we will gladly provide you on request.



Material cable gland	Polyamide
Material sealing gasket	EPDM
Protection class	IP69, IP68 (5 bar 30 min)
Temp. range min	-20 °C
Temp. range max	80 °C
Glow wire test	750 °C
Thread type	PG
Ø Connection thread D	7
Length screw-in thread L	8 mm
Ø cable diameter min	3 mm
Ø cable diameter max	6,5 mm
Key width SW	15 mm
Collar diameter (E)	16 mm
Total length TL	68 mm
Type of cable anchorage	A
Product Color	RAL 7035
Type	SKVS 7
Order no. RAL 7035	10060615
Packing unit	100
ETIM-Classification	EC000441

Recommended accessories

MUG 7	10060670
--------------	----------

Your Contact:

WISKA Hoppmann GmbH
Kisdorfer Weg 28 · 24568 Kaltenkirchen · Germany
☎ +49-4191-508-0 · 📠 +49-4191-508-209
contact@wiska.de · www.wiska.com

ADR 7	10061419
RDE 12	10062183
BS 6	10064004
MFD 12/04/020	10064392
MFD 12/02/020	10100525

17.12.2018

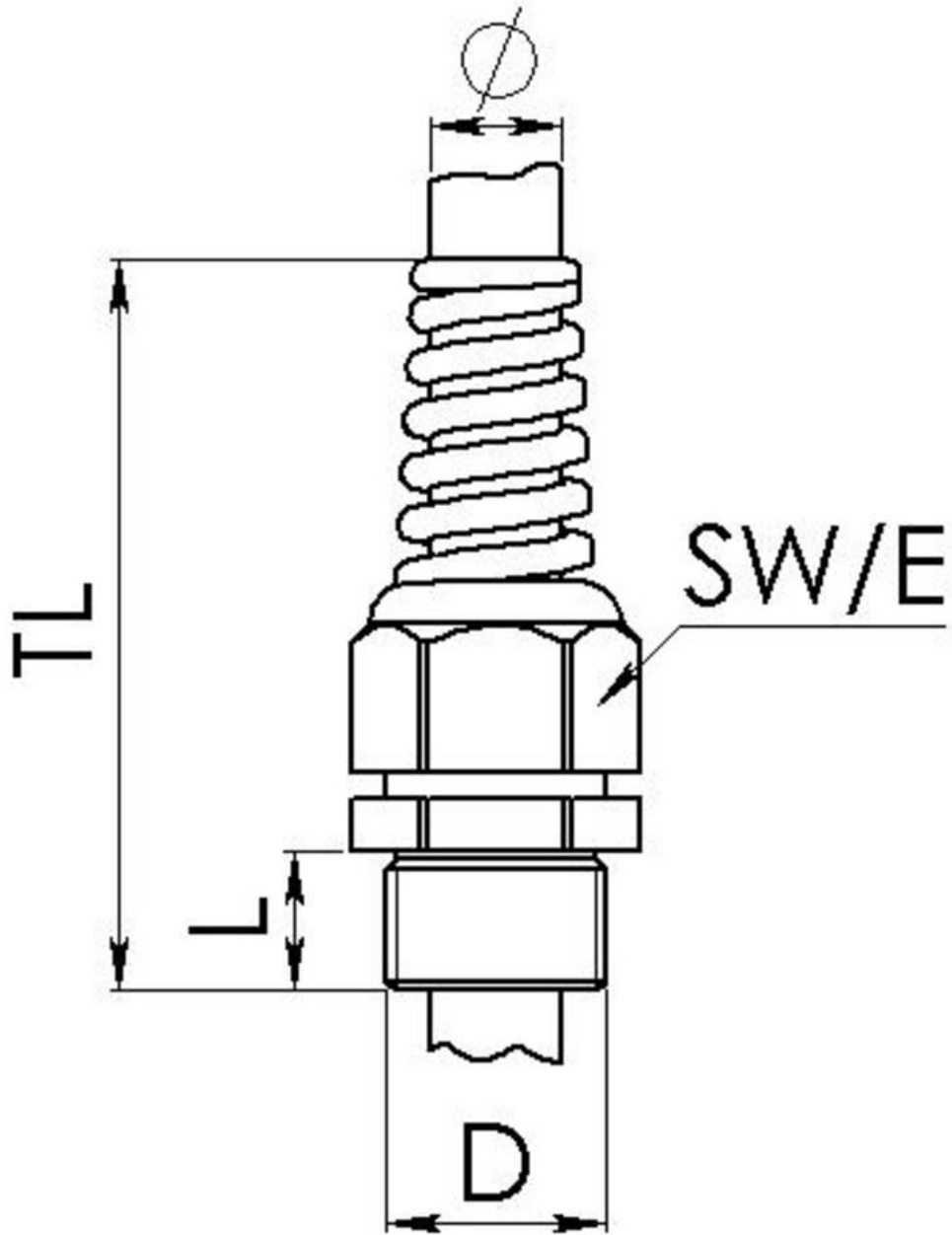
Your Contact:

WISKA Hoppmann GmbH

Kisdorfer Weg 28 · 24568 Kaltenkirchen · Germany

☎ +49-4191-508-0 · 📠 +49-4191-508-209

contact@wiska.de · www.wiska.com



Your Contact:

WISKA Hoppmann GmbH

Kisdorfer Weg 28 · 24568 Kaltenkirchen · Germany

☎ +49-4191-508-0 · 📠 +49-4191-508-209

contact@wiska.de · www.wiska.com