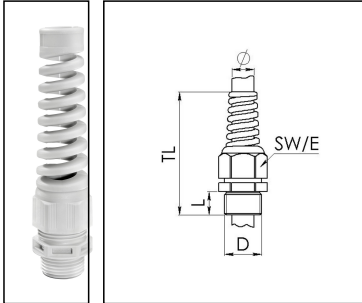


SKVS 11

Cable gland with bend protection, polyamide, Pg 11, RAL 7035



Product illustrations are exemplary and may differ from the chosen product. Further variants and individual customization, we will gladly provide you on request.



Material cable gland	Polyamide
Material sealing gasket	EPDM
Protection class	IP69, IP68 (5 bar 30 min)
Temp. range min	-20 °C
Temp. range max	80 °C
Glow wire test	750 °C
Thread type	PG
Ø Connection thread D	11
Length screw-in thread L	8 mm
Ø cable diameter min	5 mm
Ø cable diameter max	10 mm
Key width SW	22 mm
Collar diameter (E)	24 mm
Total length TL	92 mm
Type of cable anchorage	A
Product Color	RAL 7035
Type	SKVS 11
Order no. RAL 7035	10060617
Packing unit	50
ETIM-Classification	EC000441

Recommended accessories

MUG 11	10060672
---------------	----------

MFD 20/02/065	10060953
ADR 11	10061421
RDE 20	10062185
BS 10	10064008
MFD 20/03/040	10064341
MFD 20/02/060	10064395
MFD 20/02/050	10101015
MFD 20/03/045	10102306

24.11.2017

