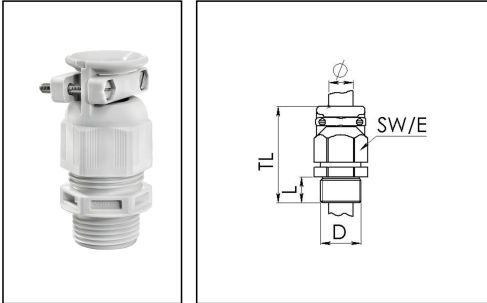


## ESKVZ 20

Cable gland with external strain relief, polyamide, M20, RAL 7035



Product illustrations are exemplary and may differ from the chosen product. Further variants and individual customization, we will gladly provide you on request.



Material cable gland	Polyamide
Material sealing gasket	EPDM
Protection class	IP69, IP68 (5 bar 30 min)
Temp. range min	-40 °C
Temp. range max	100 °C
Glow wire test	750 °C
Thread type	M
Ø Connection thread D	20
Lead	1,5
Length screw-in thread L	10 mm
Ø cable diameter min	6 mm
Ø cable diameter max	13 mm
Ø cable diameter UL	7,5 mm - 11,3 mm
Key width SW	24 mm
Collar diameter (E)	27 mm
Total length TL	49 mm - 58 mm
Type of cable anchorage	B
Install. torques fitting	4 N m
Install. torques cap nut	4 N m
Impact category	2
Torque clamp srew	0,4 N m
Product Color	RAL 7035
Type	ESKVZ 20
Order no. RAL 7035	10060724
Packing unit	50

Your Contact:

WISKA Hoppmann GmbH

Kisdorfer Weg 28 · 24568 Kaltenkirchen · Germany

☎ +49-4191-508-0 · 📠 +49-4191-508-209

contact@wiska.de · www.wiska.com

Recommended accessories



<b>EMUG 20</b>	10060772
<b>RDE 20</b>	10062185
<b>EADR 20</b>	10062803
<b>BS 13</b>	10064010

19.11.2018

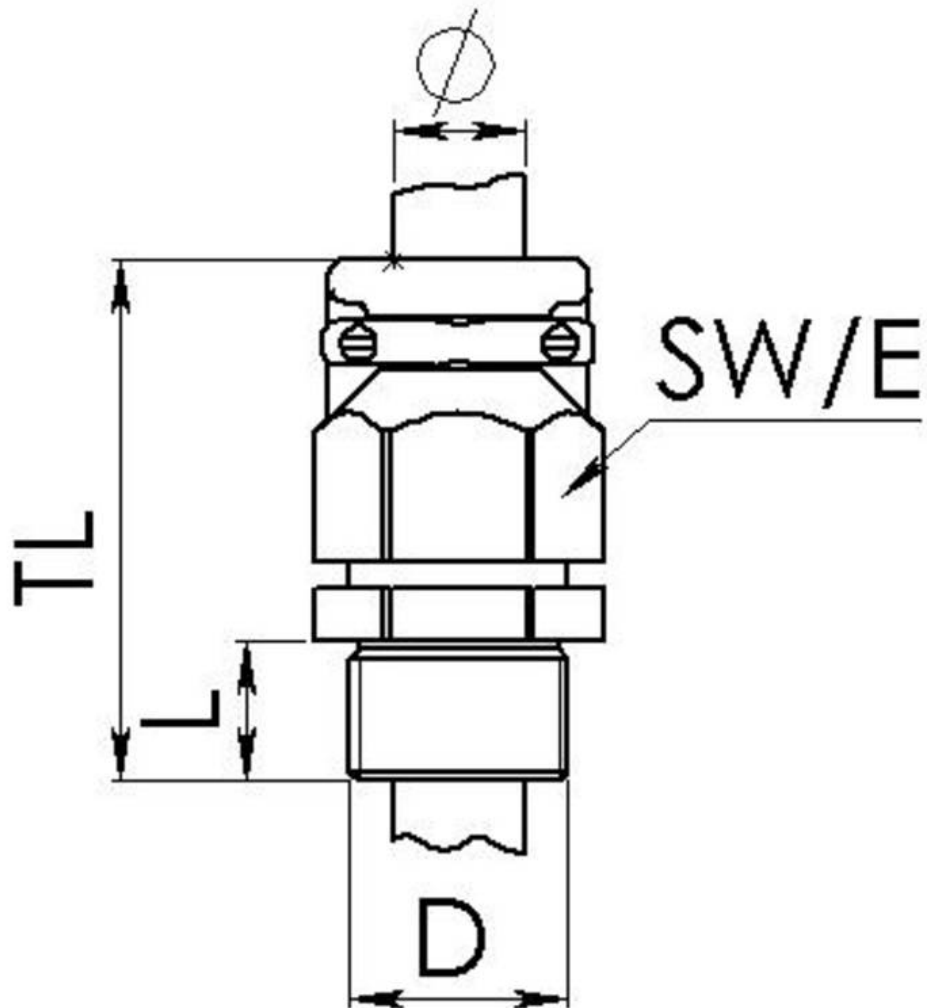
Your Contact:

**WISKA Hoppmann GmbH**

Kisdorfer Weg 28 · 24568 Kaltenkirchen · Germany

 +49-4191-508-0 ·  +49-4191-508-209

[contact@wiska.de](mailto:contact@wiska.de) · [www.wiska.com](http://www.wiska.com)



Your Contact:

**WISKA Hoppmann GmbH**

Kisdorfer Weg 28 · 24568 Kaltenkirchen · Germany

☎ +49-4191-508-0 · 📠 +49-4191-508-209

contact@wiska.de · www.wiska.com