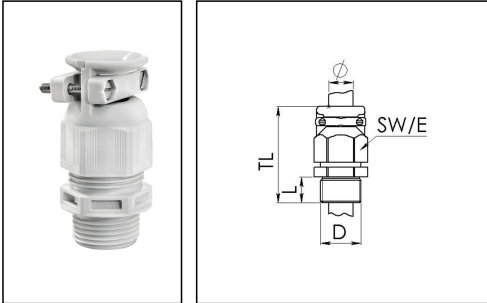


## ESKVZ 25

Cable gland with external strain relief, polyamide, M25, RAL 7035



Product illustrations are exemplary and may differ from the chosen product. Further variants and individual customization, we will gladly provide you on request.



<b>Material cable gland</b>	Polyamide
<b>Material sealing gasket</b>	EPDM
<b>Protection class</b>	IP69, IP68 (5 bar 30 min)
<b>Temp. range min</b>	-40 °C
<b>Temp. range max</b>	100 °C
<b>Glow wire test</b>	750 °C
<b>Thread type</b>	M
<b>Ø Connection thread D</b>	25
<b>Lead</b>	1,5
<b>Length screw-in thread L</b>	10 mm
<b>Ø cable diameter min</b>	9 mm
<b>Ø cable diameter max</b>	17 mm
<b>Ø cable diameter UL</b>	10,8 mm - 15,8 mm
<b>Key width SW</b>	29 mm
<b>Collar diameter (E)</b>	32 mm
<b>Total length TL</b>	51 mm - 60 mm
<b>Type of cable anchorage</b>	B
<b>Install. torques fitting</b>	10 N m
<b>Install. torques cap nut</b>	4 N m
<b>Impact category</b>	4
<b>Torque clamp srew</b>	0,4 N m
<b>Product Color</b>	RAL 7035
<b>Type</b>	ESKVZ 25
<b>Order no. RAL 7035</b>	10060725
<b>Packing unit</b>	25

Your Contact:

WISKA Hoppmann GmbH  
Kisdorfer Weg 28 · 24568 Kaltenkirchen · Germany  
☎ +49-4191-508-0 · 📠 +49-4191-508-209  
contact@wiska.de · www.wiska.com

Recommended accessories



<b>RDE 25</b>	10060768
<b>EMUG 25</b>	10060773
<b>EADR 25</b>	10062804
<b>BS 17</b>	10064012

16.11.2018

Your Contact:

**WISKA Hoppmann GmbH**

Kisdorfer Weg 28 · 24568 Kaltenkirchen · Germany

 +49-4191-508-0 ·  +49-4191-508-209

contact@wiska.de · www.wiska.com



Your Contact:

**WISKA Hoppmann GmbH**

Kisdorfer Weg 28 · 24568 Kaltenkirchen · Germany

☎ +49-4191-508-0 · 📠 +49-4191-508-209

contact@wiska.de · www.wiska.com