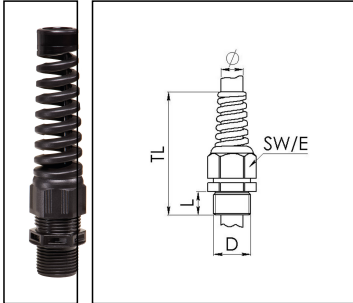


ESKVS-L 16

Cable gland with bend protection, polyamide



Product illustrations are exemplary and may differ from the chosen product. Further variants and individual customization, we will gladly provide you on request.



Material cable gland	Polyamide
Material sealing gasket	EPDM
Protection class	IP69, IP68 (5 bar 30 min)
Temp. range min	-40 °C
Temp. range max	100 °C
Glow wire test	750 °C
Thread type	M
Ø Connection thread D	16
Lead	1,5
Length screw-in thread L	15 mm
Ø cable diameter min	4,5 mm
Ø cable diameter max	10 mm
Ø cable diameter UL	6 mm - 8,6 mm
Key width SW	20 mm
Collar diameter (E)	22 mm
Total length TL	88 mm - 94 mm
Type of cable anchorage	A
Install. torques fitting	3,5 N m
Install. torques cap nut	3 N m
Impact category	3
Product Color	RAL 9005
Type	ESKVS-L 16
Order no. RAL 9005	10061216
Packing unit	100
ETIM-Classification	EC000441

Recommended accessories

EMUG 16	10061781
RDE 16	10062184
EADR 16	10062802
BS 10	10064008
MFD 16/02/040	10064393
MFD 16/03/021	10101014

28.06.2017

