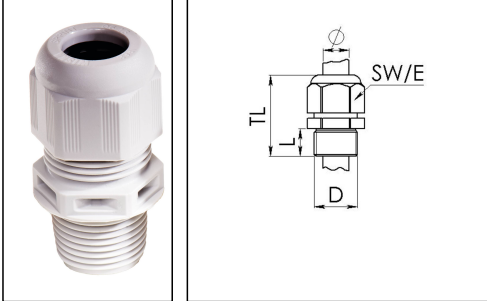


NSKV 2 LT

Cable gland LowTemp, polyamide



Product illustrations are exemplary and may differ from the chosen product. Further variants and individual customization, we will gladly provide you on request.



Material cable gland	Polyamide
Material sealing gasket	Silicone
Temp. range min	-60 °C
Temp. range max	100 °C
Protection class	IP69, IP68 (5 bar 30 min)
Thread type	NPT
Ø Connection thread D	2"
Length screw-in thread L	18 mm
Ø cable diameter min	34 mm
Ø cable diameter max	48 mm
Key width SW	68 mm
Collar diameter (E)	75 mm
Total length TL	69 mm - 84 mm
Glow wire test	750 °C
Type of cable anchorage	A
Install. torques fitting	30 N m
Install. torques cap nut	30 N m
Product Color	RAL 7035
Order no. RAL 7035	10061435
Type	NSKV 2 LT
Packing unit	3

Recommended accessories

RDE 63 LT	10063967
BS 48	10064019
EADR 63/90 LT	10105711

24.06.2017

