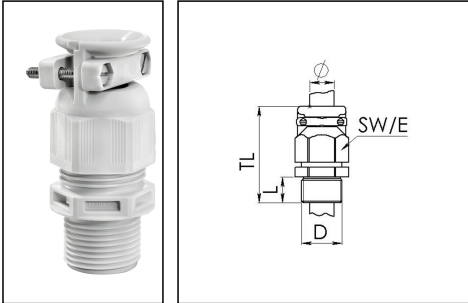


ESKVZ-L 12

Cable gland long with external strain relief, polyamide, M12, RAL 7035



Product illustrations are exemplary and may differ from the chosen product. Further variants and individual customization, we will gladly provide you on request.



Material cable gland	Polyamide
Material sealing gasket	EPDM
Protection class	IP69, IP68 (5 bar 30 min)
Temp. range min	-40 °C
Temp. range max	100 °C
Glow wire test	750 °C
Thread type	M
Ø Connection thread D	12
Lead	1,5
Length screw-in thread L	15 mm
Ø cable diameter min	3 mm
Ø cable diameter max	7 mm
Ø cable diameter UL	4,1 mm - 6 mm
Key width SW	16 mm
Collar diameter (E)	18 mm
Total length TL	44 mm - 49 mm
Type of cable anchorage	B
Install. torques fitting	2 N m
Install. torques cap nut	2 N m
Impact category	2
Product Color	RAL 7035
Type	ESKVZ-L 12
Order no. RAL 7035	10061465
Packing unit	100
ETIM-Classification	EC000441

Your Contact:

WISKA Hoppmann GmbH

Kisdorfer Weg 28 · 24568 Kaltenkirchen · Germany

☎ +49-4191-508-0 · 📠 +49-4191-508-209

contact@wiska.de · www.wiska.com

Recommended accessories

EMUG 12	10060770
RDE 12	10062183
EADR 12	10062801
BS 7	10064005

17.11.2018

Your Contact:

WISKA Hoppmann GmbH

Kisdorfer Weg 28 · 24568 Kaltenkirchen · Germany

 +49-4191-508-0 ·  +49-4191-508-209

contact@wiska.de · www.wiska.com



Your Contact:

WISKA Hoppmann GmbH

Kisdorfer Weg 28 · 24568 Kaltenkirchen · Germany

☎ +49-4191-508-0 · 📠 +49-4191-508-209

contact@wiska.de · www.wiska.com