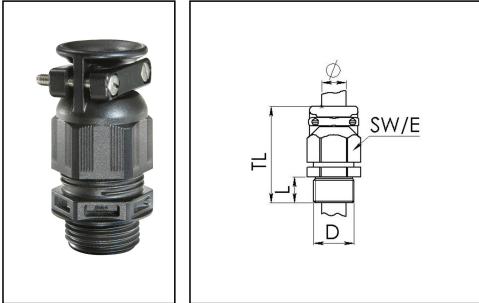


## ESKVZ 12

Cable gland with external strain relief, polyamide, M12, RAL 9005



Product illustrations are exemplary and may differ from the chosen product. Further variants and individual customization, we will gladly provide you on request.



<b>Material cable gland</b>	Polyamide
<b>Material sealing gasket</b>	EPDM
<b>Protection class</b>	IP69, IP68 (5 bar 30 min)
<b>Temp. range min</b>	-40 °C
<b>Temp. range max</b>	100 °C
<b>Glow wire test</b>	750 °C
<b>Thread type</b>	M
<b>Ø Connection thread D</b>	12
<b>Lead</b>	1,5
<b>Length screw-in thread L</b>	9 mm
<b>Ø cable diameter min</b>	3 mm
<b>Ø cable diameter max</b>	7 mm
<b>Ø cable diameter UL</b>	4,1 mm - 6 mm
<b>Key width SW</b>	16 mm
<b>Collar diameter (E)</b>	18 mm
<b>Total length TL</b>	38 mm - 43 mm
<b>Type of cable anchorage</b>	B
<b>Install. torques fitting</b>	2 N m
<b>Install. torques cap nut</b>	2 N m
<b>Impact category</b>	2
<b>Product Color</b>	RAL 9005
<b>Type</b>	ESKVZ 12
<b>Order no. RAL 9005</b>	10061475
<b>Packing unit</b>	100
<b>ETIM-Classification</b>	EC000441

Recommended accessories

<b>EMUG 12</b>	10061780
<b>RDE 12</b>	10062183
<b>EADR 12</b>	10062801
<b>BS 7</b>	10064005

24.11.2017

