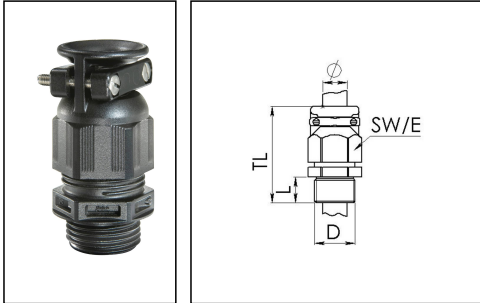


ESKVZ 32

Cable gland with external strain relief, polyamide, M32, RAL 9005



Product illustrations are exemplary and may differ from the chosen product. Further variants and individual customization, we will gladly provide you on request.



| | |
|--------------------------|---------------------------|
| Material cable gland | Polyamide |
| Material sealing gasket | EPDM |
| Protection class | IP69, IP68 (5 bar 30 min) |
| Temp. range min | -40 °C |
| Temp. range max | 100 °C |
| Glow wire test | 750 °C |
| Thread type | M |
| Ø Connection thread D | 32 |
| Lead | 1,5 |
| Length screw-in thread L | 12 mm |
| Ø cable diameter min | 13 mm |
| Ø cable diameter max | 21 mm |
| Ø cable diameter UL | 14,6 mm - 19,5 mm |
| Key width SW | 36 mm |
| Collar diameter (E) | 40 mm |
| Total length TL | 57 mm - 66 mm |
| Type of cable anchorage | B |
| Install. torques fitting | 15 N m |
| Install. torques cap nut | 6 N m |
| Impact category | 4 |
| Torque clamp srew | 0,5 N m |
| Product Color | RAL 9005 |
| Type | ESKVZ 32 |
| Order no. RAL 9005 | 10061479 |
| Packing unit | 10 |

Your Contact:

WISKA Hoppmann GmbH

Kisdorfer Weg 28 · 24568 Kaltenkirchen · Germany

☎ +49-4191-508-0 · 📠 +49-4191-508-209

contact@wiska.de · www.wiska.com

Recommended accessories

| | |
|----------------|----------|
| EMUG 32 | 10061784 |
| RDE 32 | 10062186 |
| EADR 32 | 10062805 |
| BS 21 | 10064014 |

21.09.2018

Your Contact:

WISKA Hoppmann GmbH

Kisdorfer Weg 28 · 24568 Kaltenkirchen · Germany

 +49-4191-508-0 ·  +49-4191-508-209

contact@wiska.de · www.wiska.com



Your Contact:

WISKA Hoppmann GmbH

Kisdorfer Weg 28 · 24568 Kaltenkirchen · Germany

☎ +49-4191-508-0 · 📠 +49-4191-508-209

contact@wiska.de · www.wiska.com