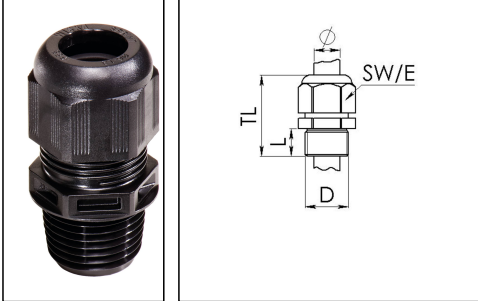


NSKV 1 1/2

Cable gland, polyamide, NPT 1 1/2", RAL 9005



Product illustrations are exemplary and may differ from the chosen product. Further variants and individual customization, we will gladly provide you on request.



| | |
|--------------------------|---------------------------|
| Material cable gland | Polyamide |
| Material sealing gasket | EPDM |
| Temp. range min | -40 °C |
| Temp. range max | 100 °C |
| Protection class | IP69, IP68 (5 bar 30 min) |
| Thread type | NPT |
| Ø Connection thread D | 1 1/2" |
| Length screw-in thread L | 18 mm |
| Ø cable diameter min | 21 mm |
| Ø cable diameter max | 35 mm |
| Ø cable diameter UL | 24,3 mm - 33,4 mm |
| Key width SW | 55 mm |
| Collar diameter (E) | 61 mm |
| Total length TL | 65 mm - 78 mm |
| Glow wire test | 750 °C |
| Type of cable anchorage | A |
| Install. torques cap nut | 30 N m |
| Install. torques fitting | 30 N m |
| Impact category | 5 |
| Product Color | RAL 9005 |
| Order no. RAL 9005 | 10061501 |
| Type | NSKV 1 1/2 |
| Packing unit | 4 |
| ETIM-Classification | EC000441 |

Your Contact:

WISKA Hoppmann GmbH

Kisdorfer Weg 28 · 24568 Kaltenkirchen · Germany

☎ +49-4191-508-0 · 📠 +49-4191-508-209

contact@wiska.de · www.wiska.com

Recommended accessories

| | |
|---------------|----------|
| RDE 50 | 10062188 |
| BS 35 | 10064017 |

17.11.2018

Your Contact:

WISKA Hoppmann GmbH

Kisdorfer Weg 28 · 24568 Kaltenkirchen · Germany

 +49-4191-508-0 ·  +49-4191-508-209

contact@wiska.de · www.wiska.com



Your Contact:

WISKA Hoppmann GmbH

Kisdorfer Weg 28 · 24568 Kaltenkirchen · Germany

☎ +49-4191-508-0 · 📠 +49-4191-508-209

contact@wiska.de · www.wiska.com