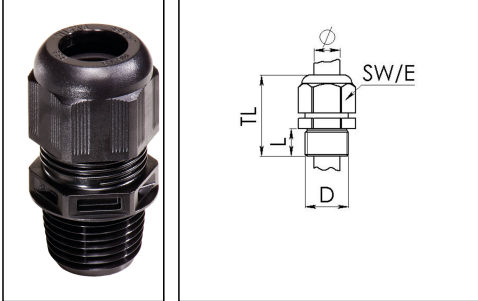


NSKV 3/8 LT

Cable gland LowTemp, polyamide, NPT 3/8", RAL 9005



Product illustrations are exemplary and may differ from the chosen product. Further variants and individual customization, we will gladly provide you on request.



Material cable gland	Polyamide
Material sealing gasket	Silicone
Temp. range min	-60 °C
Temp. range max	100 °C
Protection class	IP69, IP68 (5 bar 30 min)
Thread type	NPT
Ø Connection thread D	3/8"
Length screw-in thread L	15 mm
Ø cable diameter min	4,5 mm
Ø cable diameter max	10 mm
Key width SW	20 mm
Collar diameter (E)	22 mm
Total length TL	36 mm - 43 mm
Glow wire test	750 °C
Type of cable anchorage	A
Install. torques fitting	3,5 N m
Install. torques cap nut	1,5 N m
Product Color	RAL 9005
Order no. RAL 9005	10061505
Type	NSKV 3/8 LT
Packing unit	50

Recommended accessories

RDE 16 LT	10063908
BS 10	10064008
EADR 16/90 LT	10105705

24.11.2017

