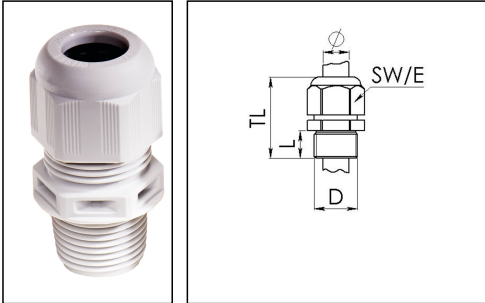


NSKV 3/8 LT

Cable gland LowTemp, polyamide, NPT 3/8", RAL 7035



Product illustrations are exemplary and may differ from the chosen product. Further variants and individual customization, we will gladly provide you on request.



| | |
|--------------------------|---------------------------|
| Material cable gland | Polyamide |
| Material sealing gasket | Silicone |
| Temp. range min | -60 °C |
| Temp. range max | 100 °C |
| Protection class | IP69, IP68 (5 bar 30 min) |
| Thread type | NPT |
| Ø Connection thread D | 3/8" |
| Length screw-in thread L | 15 mm |
| Ø cable diameter min | 4,5 mm |
| Ø cable diameter max | 10 mm |
| Key width SW | 20 mm |
| Collar diameter (E) | 22 mm |
| Total length TL | 36 mm - 43 mm |
| Glow wire test | 750 °C |
| Type of cable anchorage | A |
| Install. torques fitting | 3,5 N m |
| Install. torques cap nut | 1,5 N m |
| Product Color | RAL 7035 |
| Order no. RAL 7035 | 10061694 |
| Type | NSKV 3/8 LT |
| Packing unit | 50 |

Recommended accessories

Your Contact:

WISKA Hoppmann GmbH

Kisdorfer Weg 28 · 24568 Kaltenkirchen · Germany

☎ +49-4191-508-0 · 📠 +49-4191-508-209

contact@wiska.de · www.wiska.com

| | |
|----------------------|----------|
| RDE 16 LT | 10063908 |
| BS 10 | 10064008 |
| EADR 16/90 LT | 10105705 |

14.11.2018

Your Contact:

WISKA Hoppmann GmbH

Kisdorfer Weg 28 · 24568 Kaltenkirchen · Germany

☎ +49-4191-508-0 · 📠 +49-4191-508-209

contact@wiska.de · www.wiska.com



Your Contact:

WISKA Hoppmann GmbH

Kisdorfer Weg 28 · 24568 Kaltenkirchen · Germany

☎ +49-4191-508-0 · 📠 +49-4191-508-209

contact@wiska.de · www.wiska.com