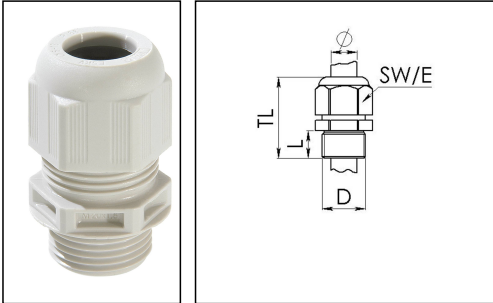


ESKV 20 PLUS

Cable gland, polyamide, M20, RAL 7035 with short thread



Product illustrations are exemplary and may differ from the chosen product. Further variants and individual customization, we will gladly provide you on request.



| | |
|--------------------------|---------------------------|
| Material cable gland | Polyamide |
| Material sealing gasket | EPDM |
| Protection class | IP69, IP68 (5 bar 30 min) |
| Temp. range min | -40 °C |
| Temp. range max | 100 °C |
| Glow wire test | 750 °C |
| Thread type | M |
| Ø Connection thread D | 20 |
| Lead | 1,5 |
| Length screw-in thread L | 10 mm |
| Ø cable diameter min | 7,5 mm |
| Ø cable diameter max | 14 mm |
| Ø cable diameter UL | 7,5 mm - 14 mm |
| Key width SW | 24 mm |
| Collar diameter (E) | 27 mm |
| Total length TL | 36 mm - 45 mm |
| Type of cable anchorage | A |
| Install. torques fitting | 4 N m |
| Install. torques cap nut | 3 N m |
| Impact category | 2 |
| Advice | Without VDE-approval |
| Product Color | RAL 7035 |
| Type | ESKV 20 PLUS |
| Order no. RAL 7035 | 10061789 |
| Packing unit | 50 |

Recommended accessories

| | |
|----------------------|----------|
| EMUG 20 | 10060772 |
| MFD 20/02/065 | 10060953 |
| RDE 20 | 10062185 |
| EADR 20 | 10062803 |
| BS 14 | 10064011 |
| MFD 20/03/040 | 10064341 |
| MFD 20/02/060 | 10064395 |
| MFD 20/02/050 | 10101015 |
| MFD 20/03/045 | 10102306 |

21.02.2018

