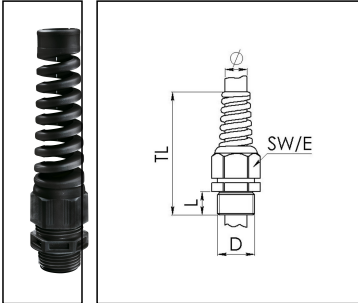


## SKVS 7

Cable gland with bend protection, polyamide



Product illustrations are exemplary and may differ from the chosen product. Further variants and individual customization, we will gladly provide you on request.



<b>Material cable gland</b>	Polyamide
<b>Material sealing gasket</b>	EPDM
<b>Protection class</b>	IP69, IP68 (5 bar 30 min)
<b>Temp. range min</b>	-20 °C
<b>Temp. range max</b>	80 °C
<b>Glow wire test</b>	750 °C
<b>Thread type</b>	PG
<b>Ø Connection thread D</b>	7
<b>Length screw-in thread L</b>	8 mm
<b>Ø cable diameter min</b>	3 mm
<b>Ø cable diameter max</b>	6,5 mm
<b>Key width SW</b>	15 mm
<b>Collar diameter (E)</b>	17 mm
<b>Total length TL</b>	68 mm
<b>Type of cable anchorage</b>	A
<b>Product Color</b>	RAL 9005
<b>Type</b>	SKVS 7
<b>Order no. RAL 9005</b>	10061871
<b>Packing unit</b>	100
<b>ETIM-Classification</b>	EC000441

Recommended accessories

**MUG 7**

10060680

<b>ADR 7</b>	10061419
<b>RDE 12</b>	10062183
<b>BS 6</b>	10064004
<b>MFD 12/04/020</b>	10064392
<b>MFD 12/02/020</b>	10100525

25.06.2017

