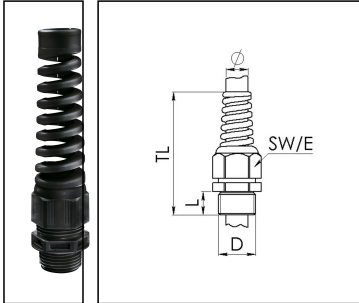


## SKVS 11

Cable gland with bend protection, polyamide, Pg 11, RAL 9005



Product illustrations are exemplary and may differ from the chosen product. Further variants and individual customization, we will gladly provide you on request.



<b>Material cable gland</b>	Polyamide
<b>Material sealing gasket</b>	EPDM
<b>Protection class</b>	IP69, IP68 (5 bar 30 min)
<b>Temp. range min</b>	-20 °C
<b>Temp. range max</b>	80 °C
<b>Glow wire test</b>	750 °C
<b>Thread type</b>	PG
<b>Ø Connection thread D</b>	11
<b>Length screw-in thread L</b>	8 mm
<b>Ø cable diameter min</b>	5 mm
<b>Ø cable diameter max</b>	10 mm
<b>Key width SW</b>	22 mm
<b>Collar diameter (E)</b>	24 mm
<b>Total length TL</b>	92 mm
<b>Type of cable anchorage</b>	A
<b>Product Color</b>	RAL 9005
<b>Type</b>	SKVS 11
<b>Order no. RAL 9005</b>	10061873
<b>Packing unit</b>	50
<b>ETIM-Classification</b>	EC000441

Recommended accessories

<b>MUG 11</b>	10060682
---------------	----------

MFD 20/02/065	10060953
<b>ADR 11</b>	10061421
<b>RDE 20</b>	10062185
<b>BS 10</b>	10064008
<b>MFD 20/03/040</b>	10064341
<b>MFD 20/02/060</b>	10064395
<b>MFD 20/02/050</b>	10101015
<b>MFD 20/03/045</b>	10102306

22.11.2017

