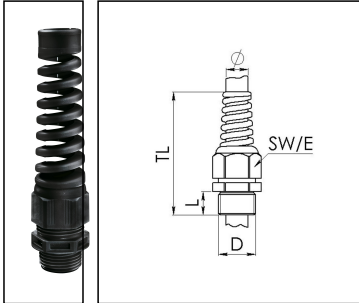


SKVS 13,5

Cable gland with bend protection, polyamide, Pg 13,5 RAL 9005



Product illustrations are exemplary and may differ from the chosen product. Further variants and individual customization, we will gladly provide you on request.



| | |
|---------------------------------|---------------------------|
| Material cable gland | Polyamide |
| Material sealing gasket | EPDM |
| Protection class | IP69, IP68 (5 bar 30 min) |
| Temp. range min | -20 °C |
| Temp. range max | 80 °C |
| Glow wire test | 750 °C |
| Thread type | PG |
| Ø Connection thread D | 13,5 |
| Length screw-in thread L | 9 mm |
| Ø cable diameter min | 6 mm |
| Ø cable diameter max | 12 mm |
| Key width SW | 24 mm |
| Collar diameter (E) | 27 mm |
| Total length TL | 105 mm |
| Type of cable anchorage | A |
| Product Color | RAL 9005 |
| Type | SKVS 13,5 |
| Order no. RAL 9005 | 10061874 |
| Packing unit | 25 |
| ETIM-Classification | EC000441 |

Recommended accessories

MFD 25/02/060

10060452

| | |
|-----------------------------|----------|
| MUG 13,5 | 10060683 |
| RDE 25 | 10060768 |
| MFD 25/02/080 | 10060952 |
| MFD 25/01/065 | 10060954 |
| ADR 13,5 | 10061422 |
| MFD 25/02/070 | 10063995 |
| MFD 25/03/070 | 10064342 |
| MFD 25/04/060 | 10064343 |
| MFD 25/01/090 | 10101016 |
| MFD 25/01/105-01/055 | 10101255 |
| MFD 25/05/056 | 10102023 |

22.11.2017

