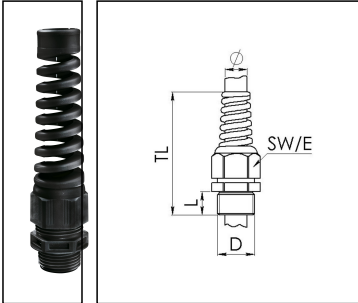
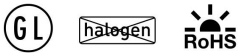


SKVS 16

Cable gland with bend protection, polyamide, Pg 16, RAL 9005



Product illustrations are exemplary and may differ from the chosen product. Further variants and individual customization, we will gladly provide you on request.



Material cable gland	Polyamide
Material sealing gasket	EPDM
Protection class	IP69, IP68 (5 bar 30 min)
Temp. range min	-20 °C
Temp. range max	80 °C
Glow wire test	750 °C
Thread type	PG
Ø Connection thread D	16
Length screw-in thread L	10 mm
Ø cable diameter min	10 mm
Ø cable diameter max	14 mm
Key width SW	27 mm
Collar diameter (E)	29 mm
Total length TL	119 mm
Type of cable anchorage	A
Product Color	RAL 9005
Type	SKVS 16
Order no. RAL 9005	10061875
Packing unit	25
ETIM-Classification	EC000441

Recommended accessories

MUG 16

10060684

Your Contact:

WISKA Hoppmann GmbH

Kisdorfer Weg 28 · 24568 Kaltenkirchen · Germany

☎ +49-4191-508-0 · 📠 +49-4191-508-209

contact@wiska.de · www.wiska.com

ADR 16	10061423
RDE 32	10062186
MFD 32/04/070	10064344
MFD 32/06/060	10064345
MFD 32/04/080	10064950
MFD 32/03/080	10101018
MFD 32/05/070	10101140
MFD 32/01/115-01/085	10101256
MFD 32/03/065	10102169
MFD 32/03/090	10102170

17.08.2018

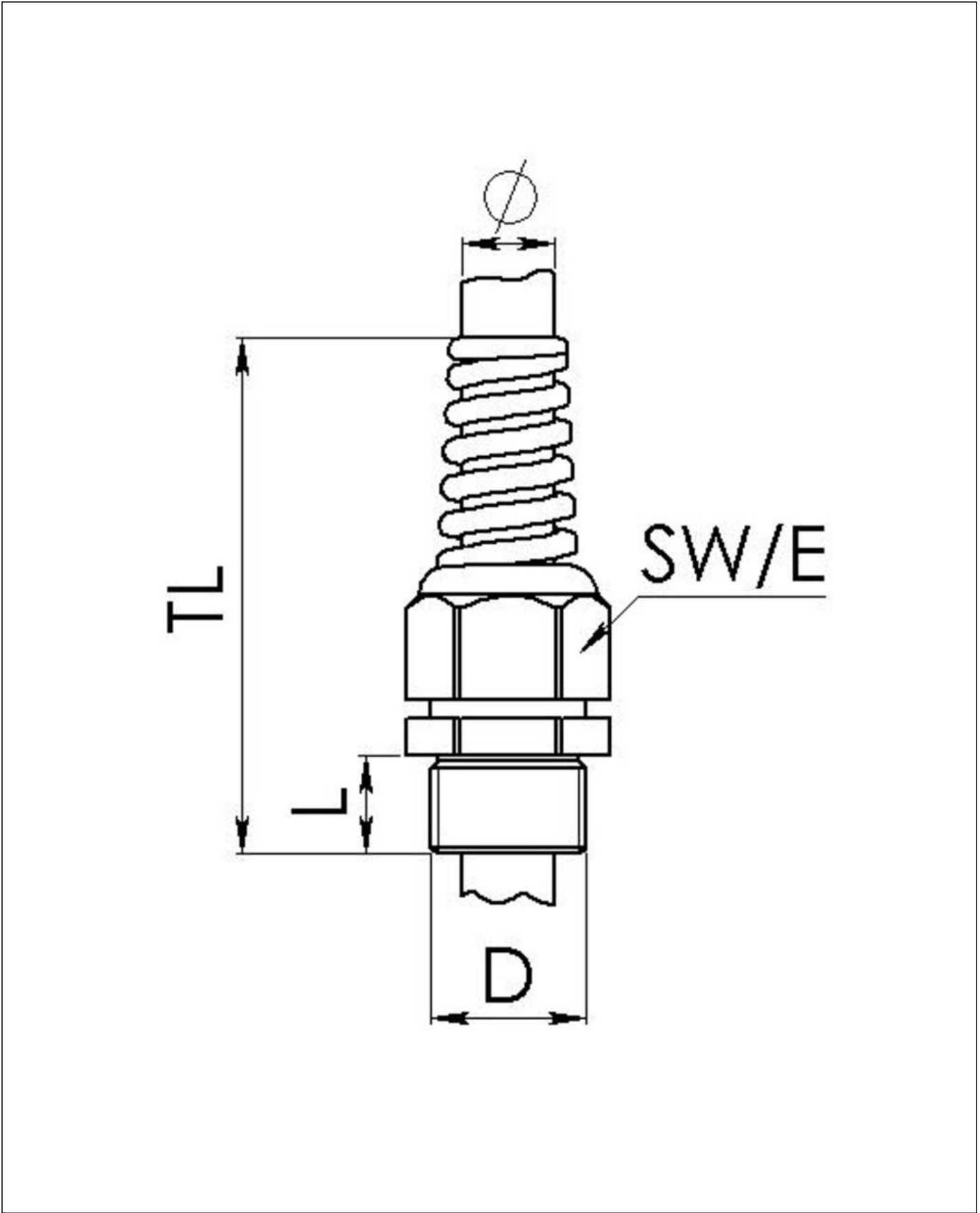
Your Contact:

WISKA Hoppmann GmbH

Kisdorfer Weg 28 · 24568 Kaltenkirchen · Germany

☎ +49-4191-508-0 · 📠 +49-4191-508-209

contact@wiska.de · www.wiska.com



Your Contact:
WISKA Hoppmann GmbH
Kisdorfer Weg 28 · 24568 Kaltenkirchen · Germany
☎ +49-4191-508-0 · 📠 +49-4191-508-209
contact@wiska.de · www.wiska.com