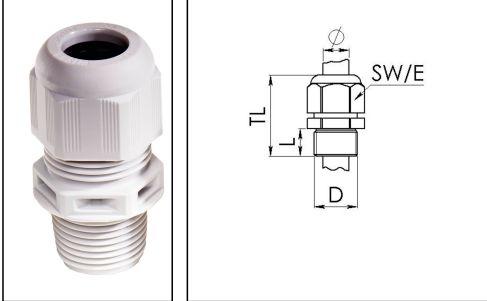


## NSKV 1 1/4 LT

Cable gland LowTemp, polyamide



Product illustrations are exemplary and may differ from the chosen product. Further variants and individual customization, we will gladly provide you on request.



<b>Material cable gland</b>	Polyamide
<b>Material sealing gasket</b>	Silicone
<b>Temp. range min</b>	-60 °C
<b>Temp. range max</b>	100 °C
<b>Protection class</b>	IP69, IP68 (5 bar 30 min)
<b>Thread type</b>	NPT
<b>Ø Connection thread D</b>	1 1/4"
<b>Length screw-in thread L</b>	18 mm
<b>Ø cable diameter min</b>	16 mm
<b>Ø cable diameter max</b>	28 mm
<b>Key width SW</b>	46 mm
<b>Collar diameter (E)</b>	51 mm
<b>Total length TL</b>	60 mm - 72 mm
<b>Glow wire test</b>	750 °C
<b>Type of cable anchorage</b>	A
<b>Install. torques fitting</b>	20 N m
<b>Install. torques cap nut</b>	20 N m
<b>Product Color</b>	RAL 7035
<b>Order no. RAL 7035</b>	10061952
<b>Type</b>	NSKV 1 1/4 LT
<b>Packing unit</b>	10

Recommended accessories

<b>RDE 40 LT</b>	10063960
<b>BS 28</b>	10064016
<b>EADR 40/90 LT</b>	10105709

28.06.2017

