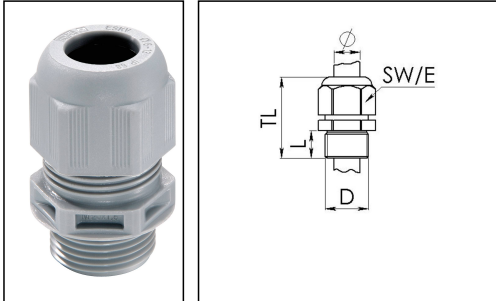


ESKV 16 LT

Cable gland LowTemp, polyamide, M16, RAL 7001 with short thread



Product illustrations are exemplary and may differ from the chosen product. Further variants and individual customization, we will gladly provide you on request.



| | |
|--------------------------|---------------------------|
| Material cable gland | Polyamide |
| Material sealing gasket | Silicone |
| Protection class | IP69, IP68 (5 bar 30 min) |
| Temp. range min | -60 °C |
| Temp. range max | 100 °C |
| Glow wire test | 750 °C |
| Thread type | M |
| Ø Connection thread D | 16 |
| Lead | 1,5 |
| Length screw-in thread L | 9 mm |
| Ø cable diameter min | 4,5 mm |
| Ø cable diameter max | 10 mm |
| Key width SW | 20 mm |
| Collar diameter (E) | 22 mm |
| Total length TL | 31 mm - 37 mm |
| Type of cable anchorage | A |
| Install. torques fitting | 3,5 N m |
| Install. torques cap nut | 1,5 N m |
| Impact category | 3 |
| Product Color | RAL 7001 |
| Type | ESKV 16 LT |
| Order no. RAL 7001 | 10061957 |
| Packing unit | 50 |
| ETIM-Classification | EC000441 |

Recommended accessories

| | |
|----------------------|----------|
| RDE 16 LT | 10063908 |
| BS 10 | 10064008 |
| EADR 16/90 LT | 10105705 |

25.06.2018

