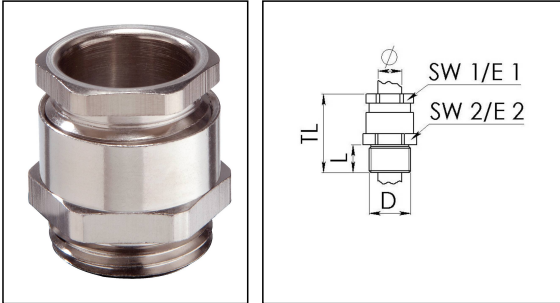


SMKV 29

Cable gland hexagonal, brass nickel-plated, Pg 29, with short thread



Product illustrations are exemplary and may differ from the chosen product. Further variants and individual customization, we will gladly provide you on request.



Material cable gland	Brass nickel-plated
Material sealing gasket	Soft rubber
Temp. range min	-40 °C
Temp. range max	70 °C
Protection class	IP54
Thread type	PG
Ø Connection thread D	29
Length screw-in thread L	8 mm
Ø cable diameter min	17 mm
Ø cable diameter max	28 mm
Key width SW1	37 mm
Key width SW2	40 mm
Collar diameter E1	41 mm
Collar diameter E2	44 mm
Total length TL	32 mm
Impact category	6
Surface	Nickel-plated
Order no. nickel-plated	10062087
Type	SMKV 29
Packing unit	25
ETIM-Classification	EC000441

Recommended accessories

Your Contact:

WISKA Hoppmann GmbH

Kisdorfer Weg 28 · 24568 Kaltenkirchen · Germany

☎ +49-4191-508-0 · 📠 +49-4191-508-209

contact@wiska.de · www.wiska.com

18.08.2018

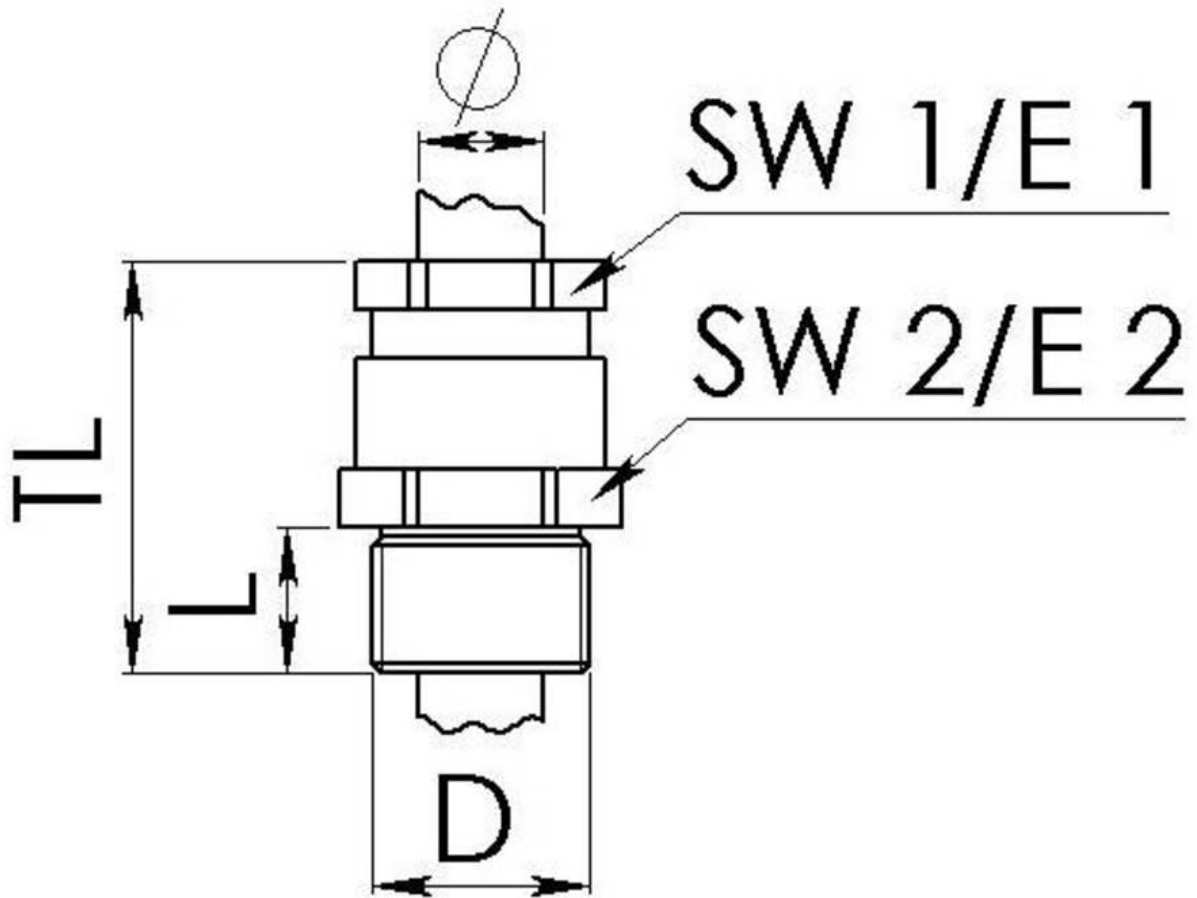
Your Contact:

WISKA Hoppmann GmbH

Kisdorfer Weg 28 · 24568 Kaltenkirchen · Germany

☎ +49-4191-508-0 · 📠 +49-4191-508-209

contact@wiska.de · www.wiska.com



Your Contact:

WISKA Hoppmann GmbH

Kisdorfer Weg 28 · 24568 Kaltenkirchen · Germany

☎ +49-4191-508-0 · 📠 +49-4191-508-209

contact@wiska.de · www.wiska.com