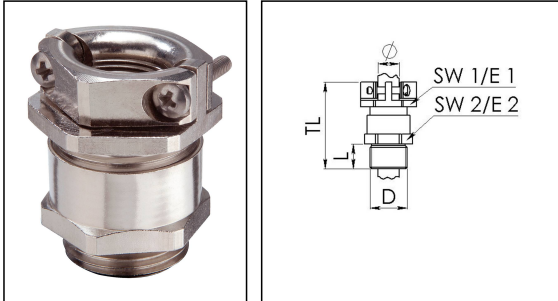


SKMKV 29

Cable gland hexagonal, brass nickel-plated, Pg 29 with external strain relief



Product illustrations are exemplary and may differ from the chosen product. Further variants and individual customization, we will gladly provide you on request.



| | |
|---------------------------------|---------------------|
| Material cable gland | Brass nickel-plated |
| Material sealing gasket | Soft rubber |
| Temp. range min | -40 °C |
| Temp. range max | 70 °C |
| Protection class | IP54 |
| Thread type | PG |
| Ø Connection thread D | 29 |
| Length screw-in thread L | 8 mm |
| Ø cable diameter min | 17 mm |
| Ø cable diameter max | 28 mm |
| Key width SW1 | 42 mm |
| Key width SW2 | 40 mm |
| Collar diameter E1 | 46 mm |
| Collar diameter E2 | 44 mm |
| Total length TL | 43 mm |
| Impact category | 6 |
| Surface | Nickel-plated |
| Order no. nickel-plated | 10062137 |
| Type | SKMKV 29 |
| Packing unit | 25 |
| ETIM-Classification | EC000441 |

Recommended accessories

Your Contact:

WISKA Hoppmann GmbH

Kisdorfer Weg 28 · 24568 Kaltenkirchen · Germany

☎ +49-4191-508-0 · 📠 +49-4191-508-209



contact@wiska.de · www.wiska.com

18.11.2018

Your Contact:

WISKA Hoppmann GmbH

Kisdorfer Weg 28 · 24568 Kaltenkirchen · Germany

 +49-4191-508-0 ·  +49-4191-508-209

contact@wiska.de · www.wiska.com



Your Contact:

WISKA Hoppmann GmbH

Kisdorfer Weg 28 · 24568 Kaltenkirchen · Germany

☎ +49-4191-508-0 · 📠 +49-4191-508-209

contact@wiska.de · www.wiska.com