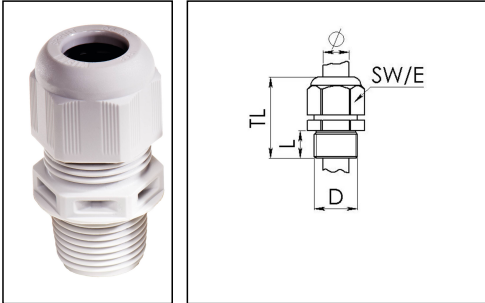


## NSKV 1/2

Cable gland, polyamide



Product illustrations are exemplary and may differ from the chosen product. Further variants and individual customization, we will gladly provide you on request.



Material cable gland	Polyamide
Material sealing gasket	EPDM
Temp. range min	-40 °C
Temp. range max	100 °C
Protection class	IP69, IP68 (5 bar 30 min)
Thread type	NPT
Ø Connection thread D	1/2"
Length screw-in thread L	15 mm
Ø cable diameter min	6 mm
Ø cable diameter max	13 mm
Ø cable diameter UL	7,5 mm - 11,3 mm
Key width SW	24 mm
Collar diameter (E)	27 mm
Total length TL	42 mm - 51 mm
Glow wire test	750 °C
Type of cable anchorage	A
Install. torques cap nut	3 N m
Install. torques fitting	4 N m
Impact category	2
Product Color	RAL 7035
Order no. RAL 7035	10062657
Type	NSKV 1/2
Packing unit	50
ETIM-Classification	EC000441

Recommended accessories

<b>RDE 20</b>	10062185
<b>BS 13</b>	10064010

24.06.2017

