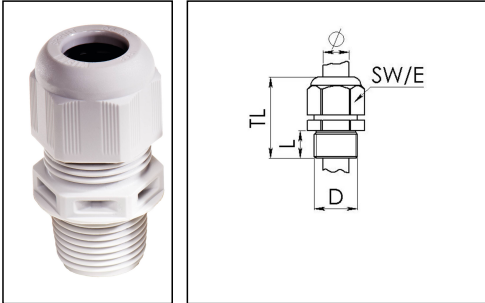


NSKV 2

Cable gland, polyamide



Product illustrations are exemplary and may differ from the chosen product. Further variants and individual customization, we will gladly provide you on request.



| | |
|--------------------------|---------------------------|
| Material cable gland | Polyamide |
| Material sealing gasket | EPDM |
| Temp. range min | -40 °C |
| Temp. range max | 100 °C |
| Protection class | IP69, IP68 (5 bar 30 min) |
| Thread type | NPT |
| Ø Connection thread D | 2" |
| Length screw-in thread L | 18 mm |
| Ø cable diameter min | 34 mm |
| Ø cable diameter max | 48 mm |
| Ø cable diameter UL | 38,1 mm - 47,5 mm |
| Key width SW | 68 mm |
| Collar diameter (E) | 75 mm |
| Total length TL | 69 mm - 83 mm |
| Glow wire test | 750 °C |
| Type of cable anchorage | A |
| Install. torques cap nut | 30 N m |
| Install. torques fitting | 30 N m |
| Impact category | 5 |
| Product Color | RAL 7035 |
| Order no. RAL 7035 | 10062736 |
| Type | NSKV 2 |
| Packing unit | 3 |
| ETIM-Classification | EC000441 |

Recommended accessories

| | |
|---------------|----------|
| RDE 63 | 10062189 |
| BS 48 | 10064019 |

24.06.2017

