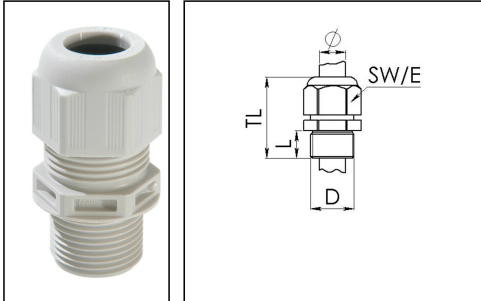


ESKV-L 50 LT

Cable gland LowTemp, polyamide with long thread



Product illustrations are exemplary and may differ from the chosen product. Further variants and individual customization, we will gladly provide you on request.



| | |
|---------------------------------|--------------------------------|
| Material cable gland | Polyamide |
| Material sealing gasket | Silicone |
| Protection class | IP69, IP68 (5 bar 30 min) |
| Temp. range min | -60 °C |
| Temp. range max | 100 °C |
| Glow wire test | 750 °C |
| Thread type | M |
| Ø Connection thread D | 50 |
| Lead | 1,5 |
| Length screw-in thread L | 18 mm |
| Ø cable diameter min | 21 mm |
| Ø cable diameter max | 35 mm |
| Key width SW | 55 mm |
| Collar diameter (E) | 61 mm |
| Total length TL | 63 mm - 76 mm |
| Type of cable anchorage | A |
| Install. torques fitting | 30 N m |
| Install. torques cap nut | 30 N m |
| Impact category | 5 |
| Equipment | Incl. connection thread gasket |
| Product Color | RAL 7035 |
| Type | ESKV-L 50 LT |
| Order no. RAL 7035 | 10062761 |
| Packing unit | 10 |
| ETIM-Classification | EC000441 |

Recommended accessories

| | |
|------------------|----------|
| RDE 50 LT | 10063966 |
| BS 35 | 10064017 |

25.09.2017

