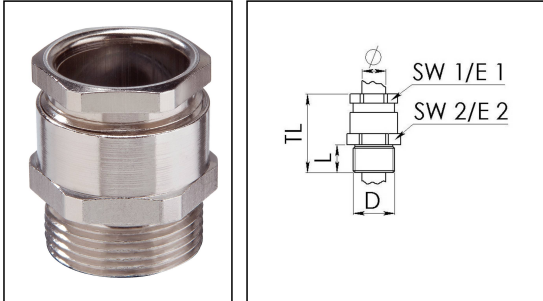


ESMKV-L 63

Cable gland hexagonal, brass nickel-plated, M63, with long thread



Product illustrations are exemplary and may differ from the chosen product. Further variants and individual customization, we will gladly provide you on request.



Material cable gland	Brass nickel-plated
Material sealing gasket	Soft rubber
Temp. range min	-30 °C
Temp. range max	80 °C
Protection class	IP54
Thread type	M
Ø Connection thread D	63
Lead	1,5
Length screw-in thread L	14 mm
Ø cable diameter min	40 mm
Ø cable diameter max	51 mm
Key width SW1	66 mm
Key width SW2	63 mm
Collar diameter E1	70 mm
Collar diameter E2	71 mm
Total length TL	50 mm
Surface	Nickel-plated
Order no. nickel-plated	10062887
Type	ESMKV-L 63
Packing unit	5
ETIM-Classification	EC000441

Recommended accessories

Your Contact:

WISKA Hoppmann GmbH

Kisdorfer Weg 28 · 24568 Kaltenkirchen · Germany

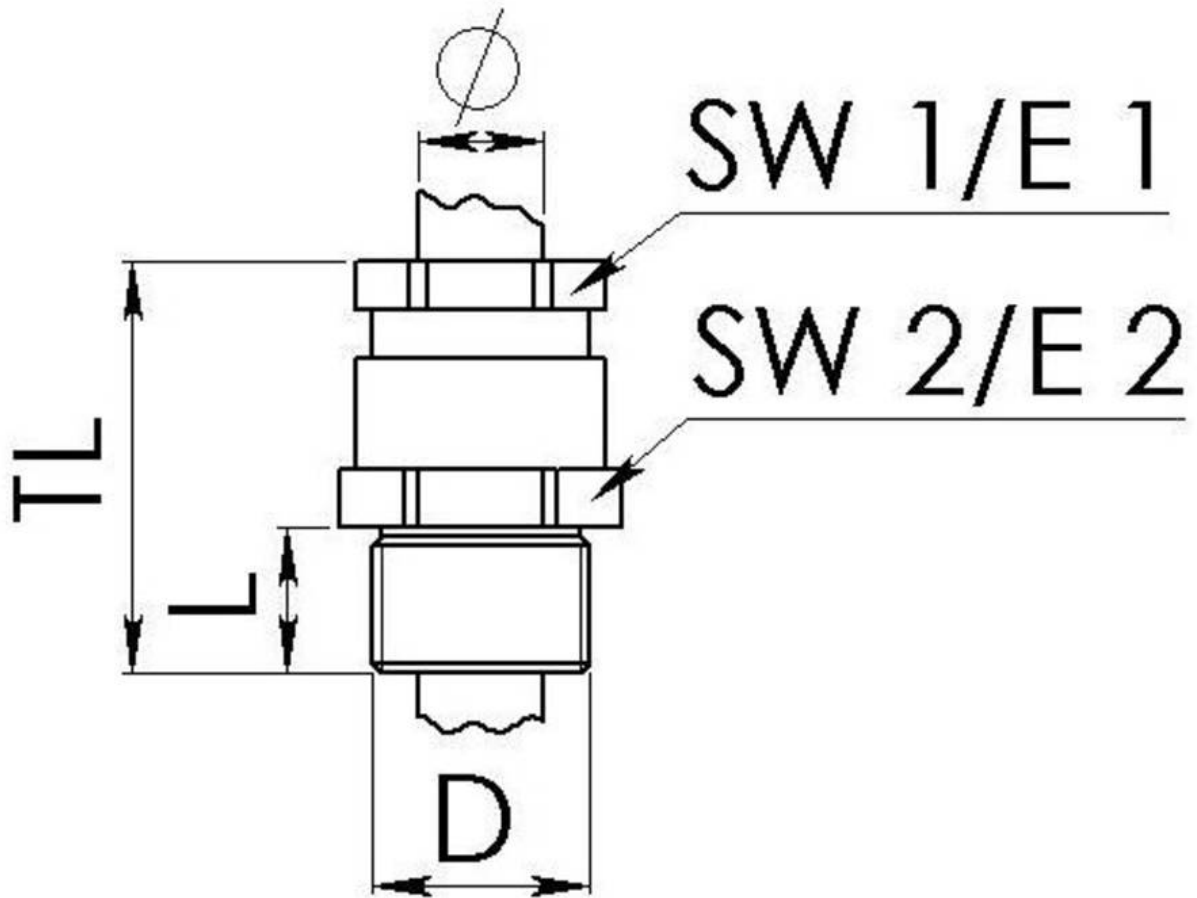
☎ +49-4191-508-0 · 📠 +49-4191-508-209

contact@wiska.de · www.wiska.com

EMMU 63	10063148
ORD-E 63	10064704

17.11.2018

Your Contact:
WISKA Hoppmann GmbH
Kisdorfer Weg 28 · 24568 Kaltenkirchen · Germany
☎ +49-4191-508-0 · 📠 +49-4191-508-209
contact@wiska.de · www.wiska.com



Your Contact:

WISKA Hoppmann GmbH

Kisdorfer Weg 28 · 24568 Kaltenkirchen · Germany

☎ +49-4191-508-0 · 📠 +49-4191-508-209

contact@wiska.de · www.wiska.com