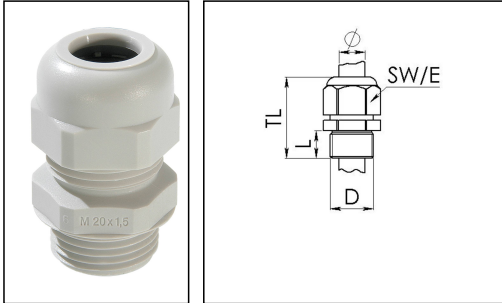


WISKONUS 12

Cable gland, polyamide, M12, RAL 7035



Product illustrations are exemplary and may differ from the chosen product. Further variants and individual customization, we will gladly provide you on request.



Material cable gland	Polyamide
Material sealing gasket	EPDM
Temp. range min	-20 °C
Temp. range max	80 °C
Protection class	IP66
Thread type	M
Ø Connection thread D	12
Lead	1,5
Length screw-in thread L	9 mm
Ø cable diameter min	4 mm
Ø cable diameter max	6 mm
Key width SW	15 mm
Collar diameter (E)	16 mm
Total length TL	28 mm - 32 mm
Type of cable anchorage	A
Product Color	RAL 7035
Order no. RAL 7035	10063257
Type	WISKONUS 12
Packing unit	50
ETIM-Classification	EC000441

Recommended accessories

EMUG 12	10060770
----------------	----------

Your Contact:

WISKA Hoppmann GmbH

Kisdorfer Weg 28 · 24568 Kaltenkirchen · Germany

☎ +49-4191-508-0 · 📠 +49-4191-508-209



contact@wiska.de · www.wiska.com

16.11.2018

Your Contact:

WISKA Hoppmann GmbH

Kisdorfer Weg 28 · 24568 Kaltenkirchen · Germany

 +49-4191-508-0 ·  +49-4191-508-209

contact@wiska.de · www.wiska.com



Your Contact:

WISKA Hoppmann GmbH

Kisdorfer Weg 28 · 24568 Kaltenkirchen · Germany

☎ +49-4191-508-0 · 📠 +49-4191-508-209

contact@wiska.de · www.wiska.com