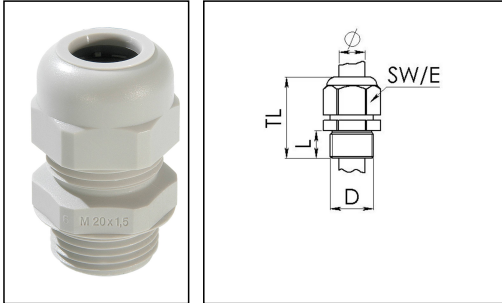


WISKONUS 25

Cable gland, polyamide, M25, RAL 7035



Product illustrations are exemplary and may differ from the chosen product. Further variants and individual customization, we will gladly provide you on request.



Material cable gland	Polyamide
Material sealing gasket	EPDM
Temp. range min	-20 °C
Temp. range max	80 °C
Protection class	IP66
Thread type	M
Ø Connection thread D	25
Lead	1,5
Length screw-in thread L	11 mm
Ø cable diameter min	9 mm
Ø cable diameter max	14 mm
Key width SW	27 mm
Collar diameter (E)	29 mm
Total length TL	38 mm - 44 mm
Product Color	RAL 7035
Order no. RAL 7035	10063260
Type	WISKONUS 25
Packing unit	50
ETIM-Classification	EC000441

Recommended accessories

EMUG 25	10060773
EADR 25	10062804

Your Contact:

WISKA Hoppmann GmbH

Kisdorfer Weg 28 · 24568 Kaltenkirchen · Germany

☎ +49-4191-508-0 · 📠 +49-4191-508-209



contact@wiska.de · www.wiska.com

15.08.2018

Your Contact:

WISKA Hoppmann GmbH

Kisdorfer Weg 28 · 24568 Kaltenkirchen · Germany

 +49-4191-508-0 ·  +49-4191-508-209

contact@wiska.de · www.wiska.com



Your Contact:

WISKA Hoppmann GmbH

Kisdorfer Weg 28 · 24568 Kaltenkirchen · Germany

☎ +49-4191-508-0 · 📠 +49-4191-508-209

contact@wiska.de · www.wiska.com