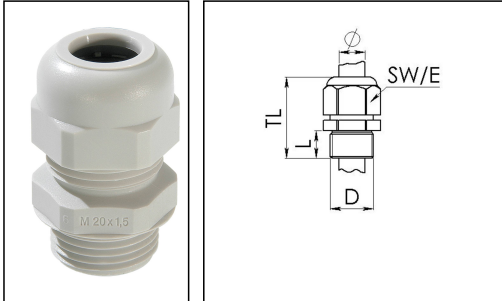


## WISKONUS 40

Cable gland, polyamide, M40, RAL 7035



Product illustrations are exemplary and may differ from the chosen product. Further variants and individual customization, we will gladly provide you on request.



<b>Material cable gland</b>	Polyamide
<b>Material sealing gasket</b>	EPDM
<b>Temp. range min</b>	-20 °C
<b>Temp. range max</b>	80 °C
<b>Protection class</b>	IP66
<b>Thread type</b>	M
<b>Ø Connection thread D</b>	40
<b>Lead</b>	1,5
<b>Length screw-in thread L</b>	12 mm
<b>Ø cable diameter min</b>	17 mm
<b>Ø cable diameter max</b>	24 mm
<b>Key width SW</b>	42 mm
<b>Collar diameter (E)</b>	46 mm
<b>Total length TL</b>	47 mm - 56 mm
<b>Product Color</b>	RAL 7035
<b>Order no. RAL 7035</b>	10063262
<b>Type</b>	WISKONUS 40
<b>Packing unit</b>	10
<b>ETIM-Classification</b>	EC000441

Recommended accessories

<b>EMUG 40</b>	10060775
<b>EADR 40</b>	10062806

Your Contact:

**WISKA Hoppmann GmbH**  
Kisdorfer Weg 28 · 24568 Kaltenkirchen · Germany  
☎ +49-4191-508-0 · 📠 +49-4191-508-209  
contact@wiska.de · www.wiska.com

18.08.2018

Your Contact:

**WISKA Hoppmann GmbH**

Kisdorfer Weg 28 · 24568 Kaltenkirchen · Germany

☎ +49-4191-508-0 · 📠 +49-4191-508-209

contact@wiska.de · www.wiska.com



Your Contact:

**WISKA Hoppmann GmbH**

Kisdorfer Weg 28 · 24568 Kaltenkirchen · Germany

☎ +49-4191-508-0 · 📠 +49-4191-508-209

contact@wiska.de · www.wiska.com