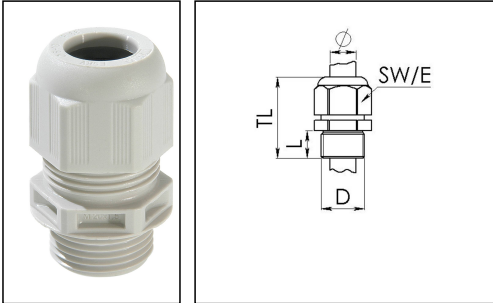


## ESKV-F 25

Cable gland flame-retardant, polyamide, M25, RAL 7035



Product illustrations are exemplary and may differ from the chosen product. Further variants and individual customization, we will gladly provide you on request.



<b>Material cable gland</b>	Polyamide, flame-retardant
<b>Material sealing gasket</b>	EPDM
<b>Protection class</b>	IP69, IP68 (5 bar 30 min)
<b>Temp. range min</b>	-40 °C
<b>Temp. range max</b>	100 °C
<b>Glow wire test</b>	960 °C
<b>Thread type</b>	M
<b>Ø Connection thread D</b>	25
<b>Lead</b>	1,5
<b>Length screw-in thread L</b>	10 mm
<b>Ø cable diameter min</b>	9 mm
<b>Ø cable diameter max</b>	17 mm
<b>Key width SW</b>	29 mm
<b>Collar diameter (E)</b>	32 mm
<b>Total length TL</b>	38 mm - 47 mm
<b>Type of cable anchorage</b>	A
<b>Install. torques fitting</b>	10 N m
<b>Install. torques cap nut</b>	4 N m
<b>Product Color</b>	RAL 7035
<b>Type</b>	ESKV-F 25
<b>Order no. RAL 7035</b>	10064629
<b>Packing unit</b>	50
<b>ETIM-Classification</b>	EC000441

Your Contact:

WISKA Hoppmann GmbH

Kisdorfer Weg 28 · 24568 Kaltenkirchen · Germany

☎ +49-4191-508-0 · 📠 +49-4191-508-209

contact@wiska.de · www.wiska.com

## Recommended accessories

<b>MFD 25/02/060</b>	10060452
<b>RDE 25</b>	10060768
<b>EMUF 25</b>	10060813
<b>MFD 25/02/080</b>	10060952
<b>MFD 25/01/065</b>	10060954
<b>EADR 25</b>	10062804
<b>MFD 25/02/070</b>	10063995
<b>BS 17</b>	10064012
<b>MFD 25/03/070</b>	10064342
<b>MFD 25/04/060</b>	10064343
<b>MFD 25/01/090</b>	10101016
<b>MFD 25/01/105-01/055</b>	10101255
<b>MFD 25/05/056</b>	10102023

24.05.2019

Your Contact:

**WISKA Hoppmann GmbH**

Kisdorfer Weg 28 · 24568 Kaltenkirchen · Germany

☎ +49-4191-508-0 · 📠 +49-4191-508-209

contact@wiska.de · www.wiska.com



Your Contact:

**WISKA Hoppmann GmbH**

Kisdorfer Weg 28 · 24568 Kaltenkirchen · Germany

☎ +49-4191-508-0 · 📠 +49-4191-508-209

contact@wiska.de · www.wiska.com