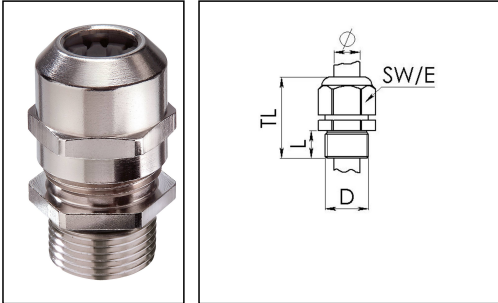


EMSKV-L 50

Cable gland, brass nickel-plated, M50, with long thread



Product illustrations are exemplary and may differ from the chosen product. Further variants and individual customization, we will gladly provide you on request.



| | |
|--------------------------|---------------------------|
| Material cable gland | Brass nickel-plated |
| Material clamping cage | Polyamide |
| Material sealing gasket | EPDM |
| Temp. range min | -40 °C |
| Temp. range max | 100 °C |
| Protection class | IP69, IP68 (5 bar 30 min) |
| Thread type | M |
| Ø Connection thread D | 50 |
| Lead | 1,5 |
| Length screw-in thread L | 15 mm |
| Ø cable diameter min | 21 mm |
| Ø cable diameter max | 35 mm |
| Ø cable diameter UL | 24,3 mm - 33,4 mm |
| Key width SW | 55 mm |
| Collar diameter (E) | 61 mm |
| Total length TL | 57 mm - 68 mm |
| Type of cable anchorage | A |
| Install. torques fitting | 30 N m |
| Install. torques cap nut | 30 N m |
| Impact category | 6 |
| Surface | Nickel-plated |
| Order no. nickel-plated | 10065014 |
| Packing unit | 10 |
| Type | EMSKV-L 50 |
| ETIM-Classification | EC000441 |

Your Contact:

WISKA Hoppmann GmbH

Kisdorfer Weg 28 · 24568 Kaltenkirchen · Germany

☎ +49-4191-508-0 · 📠 +49-4191-508-209

contact@wiska.de · www.wiska.com

Recommended accessories

| | |
|----------------------|----------|
| RDE 50 | 10062188 |
| MFD 50/25/050 | 10063102 |
| EMMU 50 | 10063147 |
| BS 35 | 10064017 |
| MFD 50/09/080 | 10064394 |

17.11.2018

Your Contact:

WISKA Hoppmann GmbH

Kisdorfer Weg 28 · 24568 Kaltenkirchen · Germany

 +49-4191-508-0 ·  +49-4191-508-209

contact@wiska.de · www.wiska.com



Your Contact:

WISKA Hoppmann GmbH

Kisdorfer Weg 28 · 24568 Kaltenkirchen · Germany

☎ +49-4191-508-0 · 📠 +49-4191-508-209

contact@wiska.de · www.wiska.com