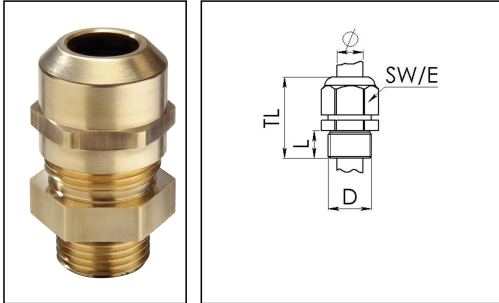


## MMSKV 36

Cable gland, brass DIN 89285, M36



Product illustrations are exemplary and may differ from the chosen product. Further variants and individual customization, we will gladly provide you on request.



Material cable gland	Brass
Material sealing gasket	EPDM
Material clamping cage	Polyamide
Temp. range min	-40 °C
Temp. range max	100 °C
Protection class	IP69, IP68 (5 bar 30 min)
Thread type	M
Ø Connection thread D	36
Lead	2
Length screw-in thread L	13 mm
Ø cable diameter min	16 mm
Ø cable diameter max	28 mm
Key width SW	46 mm
Collar diameter (E)	51 mm
Total length TL	49 mm - 60 mm
Type of cable anchorage	A
Install. torques fitting	20 N m
Install. torques cap nut	15 N m
Impact category	6
Surface	Bright
Order no. bright	10065105
Type	MMSKV 36
Packing unit	1
ETIM-Classification	EC000441

Your Contact:

WISKA Hoppmann GmbH

Kisdorfer Weg 28 · 24568 Kaltenkirchen · Germany

☎ +49-4191-508-0 · 📠 +49-4191-508-209

contact@wiska.de · www.wiska.com

## Recommended accessories

<b>RDE 40</b>	10062187
<b>MFD 40/08/060</b>	10064346
<b>MFD 40/07/080</b>	10064347
<b>MFD 40/07/070</b>	10064348
<b>MFD 40/04/100</b>	10101017
<b>MFD 40/09/069</b>	10101427
<b>MFD 40/03/125</b>	10102054
<b>MFD 40/06/065</b>	10102171
<b>MFD 40/06/090</b>	10102172
<b>GM 36</b>	50011422

14.11.2018

Your Contact:

**WISKA Hoppmann GmbH**

Kisdorfer Weg 28 · 24568 Kaltenkirchen · Germany

☎ +49-4191-508-0 · 📠 +49-4191-508-209

contact@wiska.de · www.wiska.com



Your Contact:

**WISKA Hoppmann GmbH**

Kisdorfer Weg 28 · 24568 Kaltenkirchen · Germany

☎ +49-4191-508-0 · 📠 +49-4191-508-209

contact@wiska.de · www.wiska.com