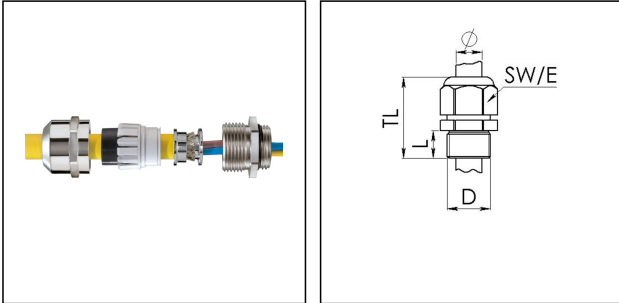


## MMSKV 24 EMV-Z/Ni

Cable gland DIN 89285, brass nickel-plated, earthing cones DIN 89345, M24



Product illustrations are exemplary and may differ from the chosen product. Further variants and individual customization, we will gladly provide you on request.



Material cable gland	Brass nickel-plated
Material sealing gasket	EPDM
Material earthing insert	Brass chromium-plated
Material clamping cage	Polyamide
Temp. range min	-40 °C
Temp. range max	100 °C
Protection class	IP69, IP68 (5 bar 30 min)
Thread type	M
Ø Connection thread D	24
Lead	1,5
Length screw-in thread L	11 mm
Ø cable diameter min	9 mm
Ø cable diameter max	17 mm
Key width SW	29 mm
Collar diameter (E)	32 mm
Total length TL	37 mm - 46 mm
Type of cable anchorage	A
Install. torques fitting	10 N m
Install. torques cap nut	10 N m
Impact category	6
Surface	Nickel-plated
Order no. nickel-plated	10065131
Type	MMSKV 24 EMV-Z/Ni
Packing unit	1
ETIM-Classification	EC000441

Your Contact:

WISKA Hoppmann GmbH

Kisdorfer Weg 28 · 24568 Kaltenkirchen · Germany

☎ +49-4191-508-0 · 📠 +49-4191-508-209

contact@wiska.de · www.wiska.com

## Recommended accessories

<b>GM 24/Ni</b>	10013175
<b>MFD 25/02/060</b>	10060452
<b>RDE 25</b>	10060768
<b>MFD 25/02/080</b>	10060952
<b>MFD 25/01/065</b>	10060954
<b>MFD 25/02/070</b>	10063995
<b>BS 17</b>	10064012
<b>MFD 25/03/070</b>	10064342
<b>MFD 25/04/060</b>	10064343
<b>MFD 25/01/090</b>	10101016
<b>MFD 25/01/105-01/055</b>	10101255
<b>MFD 25/05/056</b>	10102023

15.08.2018

Your Contact:

**WISKA Hoppmann GmbH**

Kisdorfer Weg 28 · 24568 Kaltenkirchen · Germany

☎ +49-4191-508-0 · 📠 +49-4191-508-209

contact@wiska.de · www.wiska.com



Your Contact:

**WISKA Hoppmann GmbH**

Kisdorfer Weg 28 · 24568 Kaltenkirchen · Germany

☎ +49-4191-508-0 · 📠 +49-4191-508-209

contact@wiska.de · www.wiska.com