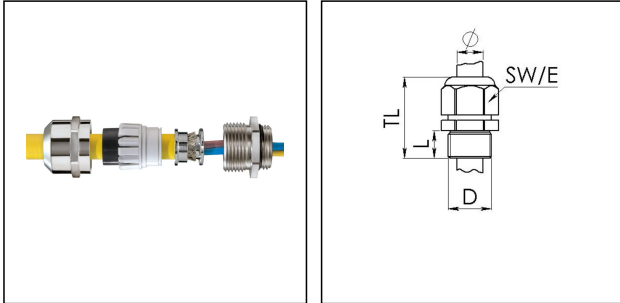


MMSKV 56 EMV-Z/Cr

Cable gland DIN 89285, brass chromed-plated, earthing cones DIN 89345, M56



Product illustrations are exemplary and may differ from the chosen product. Further variants and individual customization, we will gladly provide you on request.



| | |
|--------------------------|---------------------------|
| Material cable gland | Brass chromium-plated |
| Material sealing gasket | EPDM |
| Material earthing insert | Brass chromium-plated |
| Material clamping cage | Polyamide |
| Temp. range min | -40 °C |
| Temp. range max | 100 °C |
| Protection class | IP69, IP68 (5 bar 30 min) |
| Thread type | M |
| Ø Connection thread D | 56 |
| Lead | 2 |
| Length screw-in thread L | 15 mm |
| Ø cable diameter min | 34 mm |
| Ø cable diameter max | 48 mm |
| Key width SW | 68 mm |
| Collar diameter (E) | 75 mm |
| Total length TL | 61 mm - 72 mm |
| Type of cable anchorage | A |
| Install. torques fitting | 40 N m |
| Install. torques cap nut | 40 N m |
| Impact category | 6 |
| Surface | Chromium-plated |
| Order no. chrome-plated | 10065142 |
| Type | MMSKV 56 EMV-Z/Cr |
| Packing unit | 1 |
| ETIM-Classification | EC000441 |

Your Contact:

WISKA Hoppmann GmbH

Kisdorfer Weg 28 · 24568 Kaltenkirchen · Germany

☎ +49-4191-508-0 · 📠 +49-4191-508-209

contact@wiska.de · www.wiska.com

Recommended accessories

| | |
|---|----------|
| GM 56/Cr | 10011528 |
| RDE 63 | 10062189 |
| BS 48 | 10064019 |
| MFD 63/01/131-01/118-03/084-02/064 | 10101114 |
| MFD 63/03/065 | 10101201 |
| MFD 63/02/065-01/090 | 10101223 |

18.08.2018

Your Contact:

WISKA Hoppmann GmbH

Kisdorfer Weg 28 · 24568 Kaltenkirchen · Germany

☎ +49-4191-508-0 · 📠 +49-4191-508-209

contact@wiska.de · www.wiska.com



Your Contact:

WISKA Hoppmann GmbH

Kisdorfer Weg 28 · 24568 Kaltenkirchen · Germany

☎ +49-4191-508-0 · 📠 +49-4191-508-209

contact@wiska.de · www.wiska.com