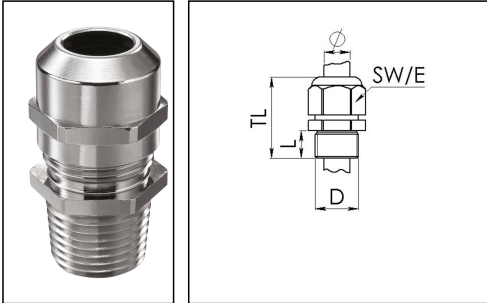


NMSKV 1/4

Cable gland, brass nickel-plated, NPT 1/4"



Product illustrations are exemplary and may differ from the chosen product. Further variants and individual customization, we will gladly provide you on request.



Material cable gland	Brass nickel-plated
Material clamping cage	Polyamide
Material sealing gasket	EPDM
Temp. range min	-40 °C
Temp. range max	100 °C
Protection class	IP68 (5 bar 30 min), IP69
Thread type	NPT
Ø Connection thread D	1/4"
Length screw-in thread L	13 mm
Ø cable diameter min	3 mm
Ø cable diameter max	7 mm
Ø cable diameter UL	4,1 mm - 6 mm
Key width SW	16 mm
Collar diameter (E)	18 mm
Type of cable anchorage	A
Install. torques fitting	4 N m
Install. torques cap nut	4 N m
Impact category	6
Total length TL	33 mm - 40 mm
Surface	Nickel-plated
Order no. nickel-plated	10065480
Type	NMSKV 1/4
Packing unit	50
ETIM-Classification	EC000441

Remarks:

Your Contact:

WISKA Hoppmann GmbH

Kisdorfer Weg 28 · 24568 Kaltenkirchen · Germany

☎ +49-4191-508-0 · 📠 +49-4191-508-209

contact@wiska.de · www.wiska.com

When using a locknut NMMU, an additional connection thread gasket ADR must be used to achieve protection class IP69 / IP68.

Recommended accessories

ADR 7	10061419
RDE 12	10062183
BS 7	10064005
MFD 12/04/020	10064392
MFD 12/02/020	10100525
NMMU 1/4	10100972

18.08.2018

Your Contact:

WISKA Hoppmann GmbH

Kisdorfer Weg 28 · 24568 Kaltenkirchen · Germany

☎ +49-4191-508-0 · 📠 +49-4191-508-209

contact@wiska.de · www.wiska.com



Your Contact:

WISKA Hoppmann GmbH

Kisdorfer Weg 28 · 24568 Kaltenkirchen · Germany

☎ +49-4191-508-0 · 📠 +49-4191-508-209

contact@wiska.de · www.wiska.com