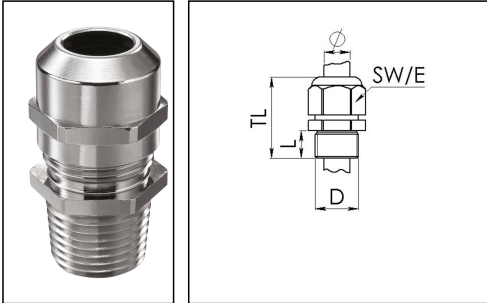


## NMSKV 1/2

Cable gland, brass nickel-plated, NPT 1/2"



Product illustrations are exemplary and may differ from the chosen product. Further variants and individual customization, we will gladly provide you on request.



Material cable gland	Brass nickel-plated
Material clamping cage	Polyamide
Material sealing gasket	EPDM
Temp. range min	-40 °C
Temp. range max	100 °C
Protection class	IP68 (5 bar 30 min), IP69
Thread type	NPT
Ø Connection thread D	1/2"
Length screw-in thread L	16 mm
Ø cable diameter min	6 mm
Ø cable diameter max	13 mm
Ø cable diameter UL	7,5 mm - 11,3 mm
Key width SW	24 mm
Collar diameter (E)	27 mm
Type of cable anchorage	A
Install. torques fitting	8 N m
Install. torques cap nut	8 N m
Impact category	6
Total length TL	38 mm - 45 mm
Surface	Nickel-plated
Order no. nickel-plated	10065482
Type	NMSKV 1/2
Packing unit	50
ETIM-Classification	EC000441

Remarks:

Your Contact:

WISKA Hoppmann GmbH  
Kisdorfer Weg 28 · 24568 Kaltenkirchen · Germany  
☎ +49-4191-508-0 · 📠 +49-4191-508-209  
contact@wiska.de · www.wiska.com

When using a locknut NMMU, an additional connection thread gasket EADR must be used to achieve protection class IP69 / IP68.

## Recommended accessories

<b>MFD 20/02/065</b>	10060953
<b>RDE 20</b>	10062185
<b>EADR 20</b>	10062803
<b>BS 13</b>	10064010
<b>MFD 20/03/040</b>	10064341
<b>MFD 20/02/060</b>	10064395
<b>NMMU 1/2</b>	10100974
<b>MFD 20/02/050</b>	10101015
<b>MFD 20/03/045</b>	10102306

19.11.2018

Your Contact:

**WISKA Hoppmann GmbH**

Kisdorfer Weg 28 · 24568 Kaltenkirchen · Germany

☎ +49-4191-508-0 · 📠 +49-4191-508-209

contact@wiska.de · www.wiska.com



Your Contact:

**WISKA Hoppmann GmbH**

Kisdorfer Weg 28 · 24568 Kaltenkirchen · Germany

☎ +49-4191-508-0 · 📠 +49-4191-508-209

contact@wiska.de · www.wiska.com