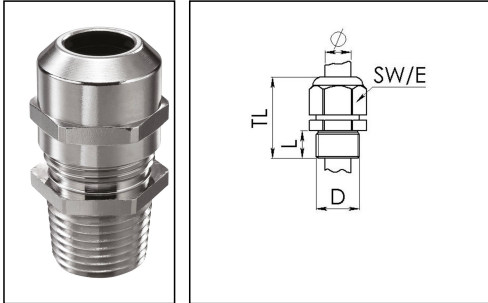


## NMSKV 3/4

Cable gland, brass nickel-plated, 3/4"



Product illustrations are exemplary and may differ from the chosen product. Further variants and individual customization, we will gladly provide you on request.



|                          |                           |
|--------------------------|---------------------------|
| Material cable gland     | Brass nickel-plated       |
| Material clamping cage   | Polyamide                 |
| Material sealing gasket  | EPDM                      |
| Temp. range min          | -40 °C                    |
| Temp. range max          | 100 °C                    |
| Protection class         | IP68 (5 bar 30 min), IP69 |
| Thread type              | NPT                       |
| Ø Connection thread D    | 3/4"                      |
| Length screw-in thread L | 16 mm                     |
| Ø cable diameter min     | 9 mm                      |
| Ø cable diameter max     | 17 mm                     |
| Ø cable diameter UL      | 10,8 mm - 15,8 mm         |
| Key width SW             | 29 mm                     |
| Collar diameter (E)      | 32 mm                     |
| Type of cable anchorage  | A                         |
| Install. torques fitting | 10 N m                    |
| Install. torques cap nut | 10 N m                    |
| Impact category          | 6                         |
| Total length TL          | 40 mm - 48 mm             |
| Surface                  | Nickel-plated             |
| Order no. nickel-plated  | 10065483                  |
| Type                     | NMSKV 3/4                 |
| Packing unit             | 50                        |
| ETIM-Classification      | EC000441                  |

Remarks:

Your Contact:

WISKA Hoppmann GmbH

Kisdorfer Weg 28 · 24568 Kaltenkirchen · Germany

☎ +49-4191-508-0 · 📠 +49-4191-508-209

contact@wiska.de · www.wiska.com

When using a locknut NMMU, an additional connection thread gasket EADR must be used to achieve protection class IP69 / IP68.

#### Recommended accessories

|                             |          |
|-----------------------------|----------|
| <b>MFD 25/02/060</b>        | 10060452 |
| <b>RDE 25</b>               | 10060768 |
| <b>MFD 25/02/080</b>        | 10060952 |
| <b>MFD 25/01/065</b>        | 10060954 |
| <b>EADR 25</b>              | 10062804 |
| <b>MFD 25/02/070</b>        | 10063995 |
| <b>BS 17</b>                | 10064012 |
| <b>MFD 25/03/070</b>        | 10064342 |
| <b>MFD 25/04/060</b>        | 10064343 |
| <b>NMMU 3/4</b>             | 10100975 |
| <b>MFD 25/01/090</b>        | 10101016 |
| <b>MFD 25/01/105-01/055</b> | 10101255 |
| <b>MFD 25/05/056</b>        | 10102023 |

18.08.2018

Your Contact:

**WISKA Hoppmann GmbH**

Kisdorfer Weg 28 · 24568 Kaltenkirchen · Germany

☎ +49-4191-508-0 · 📠 +49-4191-508-209

contact@wiska.de · www.wiska.com



Your Contact:

**WISKA Hoppmann GmbH**

Kisdorfer Weg 28 · 24568 Kaltenkirchen · Germany

☎ +49-4191-508-0 · 📠 +49-4191-508-209

contact@wiska.de · www.wiska.com