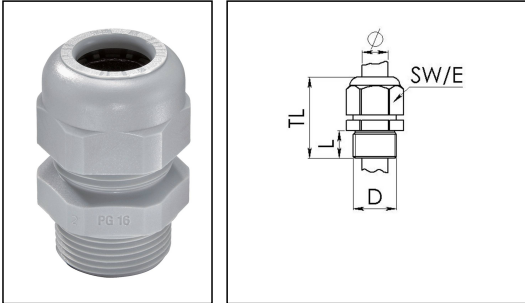
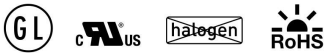


## SKV 7

Cable gland, polyamide, Pg 7, RAL 7001



Product illustrations are exemplary and may differ from the chosen product. Further variants and individual customization, we will gladly provide you on request.



|                                 |                     |
|---------------------------------|---------------------|
| <b>Material cable gland</b>     | Polyamide           |
| <b>Material sealing gasket</b>  | EPDM                |
| <b>Temp. range min</b>          | -40 °C              |
| <b>Temp. range max</b>          | 100 °C              |
| <b>Protection class</b>         | IP68 (5 bar 30 min) |
| <b>Thread type</b>              | PG                  |
| <b>Ø Connection thread D</b>    | 7                   |
| <b>Length screw-in thread L</b> | 9 mm                |
| <b>Ø cable diameter min</b>     | 3 mm                |
| <b>Ø cable diameter max</b>     | 6 mm                |
| <b>Key width SW</b>             | 15 mm               |
| <b>Collar diameter (E)</b>      | 16 mm               |
| <b>Total length TL</b>          | 28 mm - 32 mm       |
| <b>Glow wire test</b>           | 750 °C              |
| <b>Type of cable anchorage</b>  | A                   |
| <b>Product Color</b>            | RAL 7001            |
| <b>Order no. RAL 7001</b>       | 10066001            |
| <b>Type</b>                     | SKV 7               |
| <b>Packing unit</b>             | 50                  |
| <b>ETIM-Classification</b>      | EC000441            |

Recommended accessories

|              |          |
|--------------|----------|
| <b>ADR 7</b> | 10061419 |
|--------------|----------|

Your Contact:

**WISKA Hoppmann GmbH**  
Kisdorfer Weg 28 · 24568 Kaltenkirchen · Germany  
☎ +49-4191-508-0 · 📠 +49-4191-508-209  
contact@wiska.de · www.wiska.com

16.08.2018

Your Contact:

**WISKA Hoppmann GmbH**

Kisdorfer Weg 28 · 24568 Kaltenkirchen · Germany

☎ +49-4191-508-0 · 📠 +49-4191-508-209

contact@wiska.de · www.wiska.com



Your Contact:

**WISKA Hoppmann GmbH**

Kisdorfer Weg 28 · 24568 Kaltenkirchen · Germany

☎ +49-4191-508-0 · 📠 +49-4191-508-209

contact@wiska.de · www.wiska.com