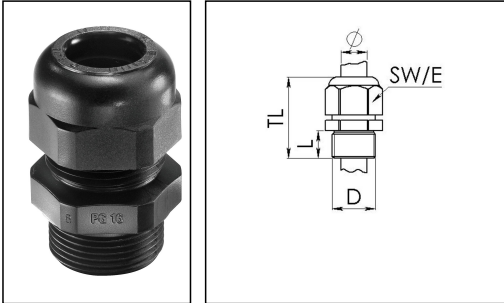
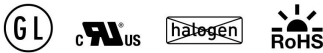


## SKV 9

Cable gland, polyamide, Pg 9, RAL 9005



Product illustrations are exemplary and may differ from the chosen product. Further variants and individual customization, we will gladly provide you on request.



<b>Material cable gland</b>	Polyamide
<b>Material sealing gasket</b>	EPDM
<b>Temp. range min</b>	-40 °C
<b>Temp. range max</b>	100 °C
<b>Protection class</b>	IP68 (5 bar 30 min)
<b>Thread type</b>	PG
<b>Ø Connection thread D</b>	9
<b>Length screw-in thread L</b>	9 mm
<b>Ø cable diameter min</b>	4 mm
<b>Ø cable diameter max</b>	8 mm
<b>Key width SW</b>	19 mm
<b>Collar diameter (E)</b>	21 mm
<b>Total length TL</b>	32 mm - 36 mm
<b>Glow wire test</b>	750 °C
<b>Type of cable anchorage</b>	A
<b>Product Color</b>	RAL 9005
<b>Order no. RAL 9005</b>	10066192
<b>Type</b>	SKV 9
<b>Packing unit</b>	50
<b>ETIM-Classification</b>	EC000441

Recommended accessories

<b>MUG 9</b>	10060681
--------------	----------

Your Contact:

**WISKA Hoppmann GmbH**  
Kisdorfer Weg 28 · 24568 Kaltenkirchen · Germany  
☎ +49-4191-508-0 · 📠 +49-4191-508-209  
contact@wiska.de · www.wiska.com

ADR 9

10061420

**BS 8**

10064006

21.08.2018

Your Contact:

**WISKA Hoppmann GmbH**

Kisdorfer Weg 28 · 24568 Kaltenkirchen · Germany

☎ +49-4191-508-0 · 📠 +49-4191-508-209

contact@wiska.de · www.wiska.com



Your Contact:

**WISKA Hoppmann GmbH**

Kisdorfer Weg 28 · 24568 Kaltenkirchen · Germany

☎ +49-4191-508-0 · 📠 +49-4191-508-209

contact@wiska.de · www.wiska.com