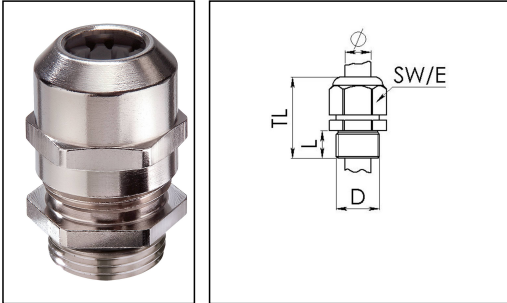


EMSKV 75

Cable gland, brass nickel-plated, M75, with short thread



Product illustrations are exemplary and may differ from the chosen product. Further variants and individual customization, we will gladly provide you on request.



| | |
|--------------------------|---------------------------|
| Material cable gland | Brass nickel-plated |
| Material clamping cage | Polyamide |
| Material sealing gasket | EPDM |
| Temp. range min | -40 °C |
| Temp. range max | 100 °C |
| Protection class | IP69, IP68 (5 bar 30 min) |
| Thread type | M |
| Ø Connection thread D | 75 |
| Lead | 1,5 |
| Length screw-in thread L | 12 mm |
| Ø cable diameter min | 48 mm |
| Ø cable diameter max | 62 mm |
| Key width SW | 82 mm |
| Collar diameter (E) | 90 mm |
| Total length TL | 67 mm - 81 mm |
| Type of cable anchorage | A |
| Install. torques fitting | 40 N m |
| Install. torques cap nut | 40 N m |
| Impact category | 6 |
| Surface | Nickel-plated |
| Order no. nickel-plated | 10100865 |
| Packing unit | 1 |
| Type | EMSKV 75 |
| ETIM-Classification | EC000441 |

Your Contact:

WISKA Hoppmann GmbH

Kisdorfer Weg 28 · 24568 Kaltenkirchen · Germany

☎ +49-4191-508-0 · 📠 +49-4191-508-209

contact@wiska.de · www.wiska.com

Recommended accessories

| | |
|----------------|----------|
| BS 63 | 10064020 |
| EMMU 75 | 10101777 |

18.08.2018

Your Contact:

WISKA Hoppmann GmbH

Kisdorfer Weg 28 · 24568 Kaltenkirchen · Germany

☎ +49-4191-508-0 · 📠 +49-4191-508-209

contact@wiska.de · www.wiska.com



Your Contact:

WISKA Hoppmann GmbH

Kisdorfer Weg 28 · 24568 Kaltenkirchen · Germany

☎ +49-4191-508-0 · 📠 +49-4191-508-209

contact@wiska.de · www.wiska.com