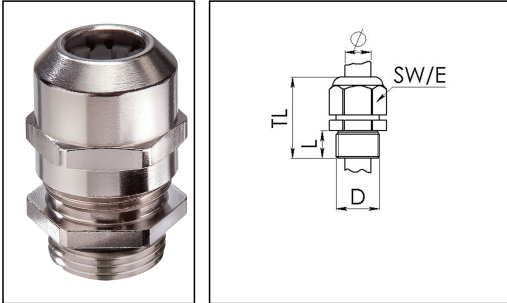


## EMSKV 12-16

Enlarging cable gland, brass nickel-plated, M12-M16



Product illustrations are exemplary and may differ from the chosen product. Further variants and individual customization, we will gladly provide you on request.



|                          |                           |
|--------------------------|---------------------------|
| Material cable gland     | Brass nickel-plated       |
| Material clamping cage   | Polyamide                 |
| Material sealing gasket  | EPDM                      |
| Temp. range min          | -40 °C                    |
| Temp. range max          | 100 °C                    |
| Protection class         | IP69, IP68 (5 bar 30 min) |
| Thread type              | M                         |
| Ø Connection thread D    | 12                        |
| Lead                     | 1,5                       |
| Length screw-in thread L | 5 mm                      |
| Ø cable diameter min     | 4,5 mm                    |
| Ø cable diameter max     | 10 mm                     |
| Key width SW             | 20 mm                     |
| Collar diameter (E)      | 22 mm                     |
| Total length TL          | 26 mm - 34 mm             |
| Install. torques fitting | 4 N m                     |
| Install. torques cap nut | 4 N m                     |
| Impact category          | 6                         |
| Surface                  | Nickel-plated             |
| Order no. nickel-plated  | 10101750                  |
| Packing unit             | 50                        |
| Type                     | EMSKV 12-16               |
| ETIM-Classification      | EC000441                  |

Your Contact:

WISKA Hoppmann GmbH

Kisdorfer Weg 28 · 24568 Kaltenkirchen · Germany

☎ +49-4191-508-0 · 📠 +49-4191-508-209

contact@wiska.de · www.wiska.com

## Recommended accessories

|                      |          |
|----------------------|----------|
| <b>RDE 16</b>        | 10062184 |
| <b>EMMU 12</b>       | 10063141 |
| <b>BS 10</b>         | 10064008 |
| <b>MFD 16/02/040</b> | 10064393 |
| <b>MFD 16/03/021</b> | 10101014 |

17.08.2018

## Your Contact:

**WISKA Hoppmann GmbH**

Kisdorfer Weg 28 · 24568 Kaltenkirchen · Germany

☎ +49-4191-508-0 · 📠 +49-4191-508-209

contact@wiska.de · www.wiska.com



Your Contact:

**WISKA Hoppmann GmbH**

Kisdorfer Weg 28 · 24568 Kaltenkirchen · Germany

☎ +49-4191-508-0 · 📠 +49-4191-508-209

contact@wiska.de · www.wiska.com