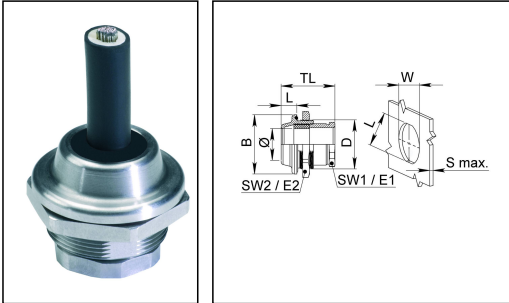


HGSM 20-E pack

Cable gland, stainless steel, M20



Product illustrations are exemplary and may differ from the chosen product. Further variants and individual customization, we will gladly provide you on request.



Material cable gland	Stainless steel A2 (1.4305)
Material sealing gasket	EPDM
Temp. range min	-40 °C
Temp. range max	120 °C
Protection class	IP68 (5 bar 30 min), IP69
Thread type	M
Ø Connection thread D	20
Lead	0,75
Ø cable diameter min	3 mm
Ø cable diameter max	12 mm
Key width SW1	17 mm
Key width SW2	24 mm
Collar diameter E1	18 mm
Collar diameter E2	27 mm
LxWxS (max)	18,5x20x5,5mm
BxL	25x8mm
Total length TL	19,5 mm - 27,5 mm
Advice	Incl. sealing rings, locknut
WISKA-Order no.	10101855
Type	HGSM 20-E pack
Packing unit	1
ETIM-Classification	EC000441

17.11.2018

Your Contact:

WISKA Hoppmann GmbH

Kisdorfer Weg 28 · 24568 Kaltenkirchen · Germany

☎ +49-4191-508-0 · 📠 +49-4191-508-209

contact@wiska.de · www.wiska.com



Your Contact:

WISKA Hoppmann GmbH

Kisdorfer Weg 28 · 24568 Kaltenkirchen · Germany

☎ +49-4191-508-0 · 📠 +49-4191-508-209

contact@wiska.de · www.wiska.com