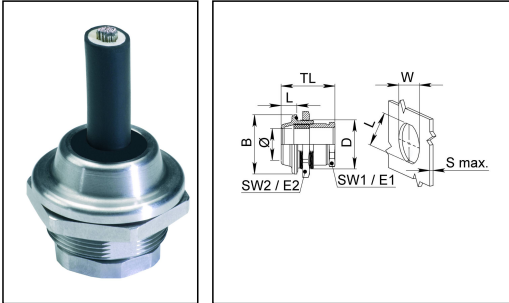


## HGSM 32-E pack

Cable gland, stainless steel, M32



Product illustrations are exemplary and may differ from the chosen product. Further variants and individual customization, we will gladly provide you on request.



<b>Material cable gland</b>	Stainless steel A2 (1.4305)
<b>Material sealing gasket</b>	EPDM
<b>Temp. range min</b>	-40 °C
<b>Temp. range max</b>	120 °C
<b>Protection class</b>	IP68 (5 bar 30 min), IP69
<b>Thread type</b>	M
<b>Ø Connection thread D</b>	32
<b>Lead</b>	0,75
<b>Ø cable diameter min</b>	9 mm
<b>Ø cable diameter max</b>	23 mm
<b>Key width SW1</b>	28 mm
<b>Key width SW2</b>	36 mm
<b>Collar diameter E1</b>	30 mm
<b>Collar diameter E2</b>	40 mm
<b>LxWxS (max)</b>	30x32x10mm
<b>BxL</b>	38x11mm
<b>Total length TL</b>	27,5 mm - 39,5 mm
<b>Advice</b>	Incl. sealing rings, locknut
<b>WISKA-Order no.</b>	10101857
<b>Type</b>	HGSM 32-E pack
<b>Packing unit</b>	1
<b>ETIM-Classification</b>	EC000441

22.11.2018

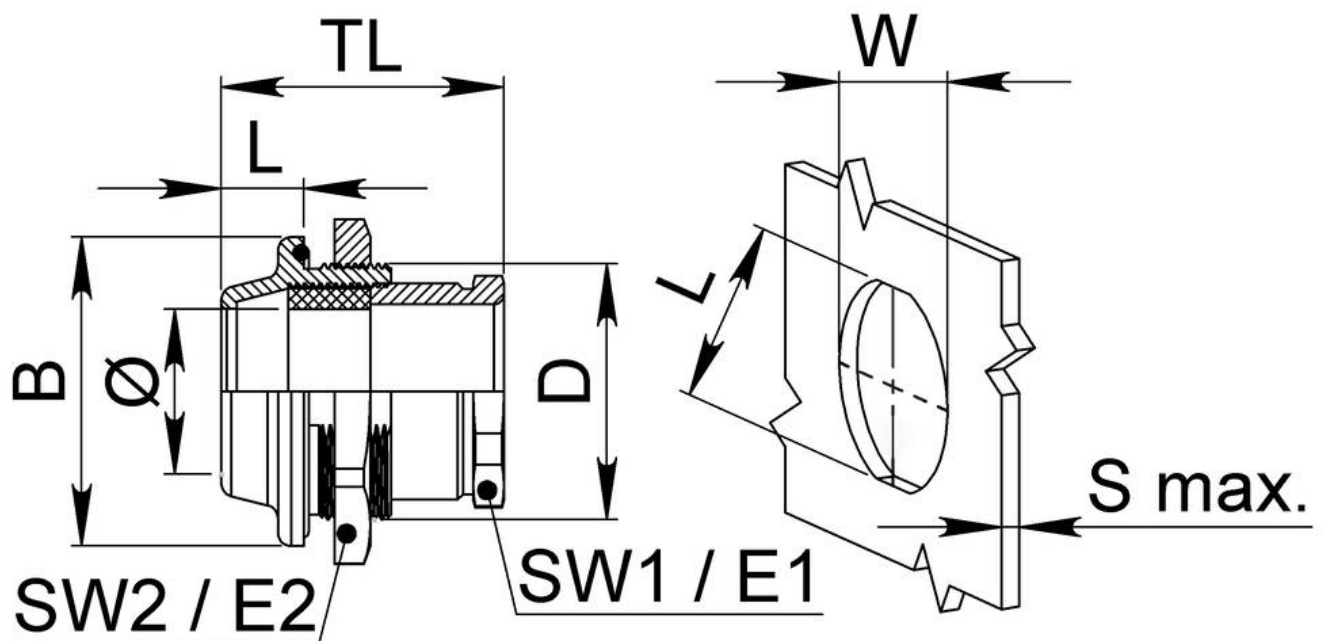
Your Contact:

**WISKA Hoppmann GmbH**

Kisdorfer Weg 28 · 24568 Kaltenkirchen · Germany

☎ +49-4191-508-0 · 📠 +49-4191-508-209

contact@wiska.de · www.wiska.com



Your Contact:

**WISKA Hoppmann GmbH**

Kisdorfer Weg 28 · 24568 Kaltenkirchen · Germany

☎ +49-4191-508-0 · 📠 +49-4191-508-209

contact@wiska.de · www.wiska.com