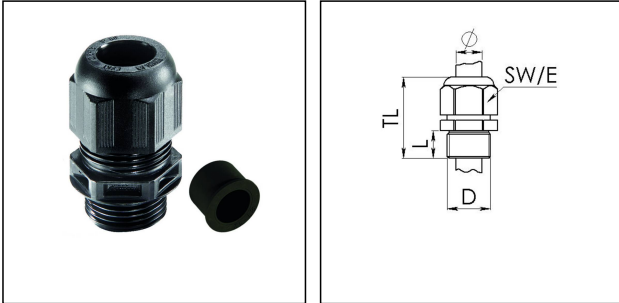


NSKV-RDE 1

Cable gland with reduction sealing insert, polyamide, NPT 1", RAL 9005



Product illustrations are exemplary and may differ from the chosen product. Further variants and individual customization, we will gladly provide you on request.



Material cable gland	Polyamide
Material sealing gasket	EPDM
Temp. range min	-40 °C
Temp. range max	100 °C
Protection class	IP68 (5 bar 30 min), IP69
Thread type	NPT
Ø Connection thread D	1"
Length screw-in thread L	15 mm
Ø cable diameter min	9 mm
Ø cable diameter max	21 mm
Key width SW	36 mm
Collar diameter (E)	40 mm
Total length TL	50 mm - 59 mm
Glow wire test	750 °C
Type of cable anchorage	A
Install. torques cap nut	4 N m
Install. torques fitting	15 N m
Advice	With reduction insert
Product Color	RAL 9005
Order no. RAL 9005	10101986
Type	NSKV-RDE 1
Packing unit	25

21.08.2018

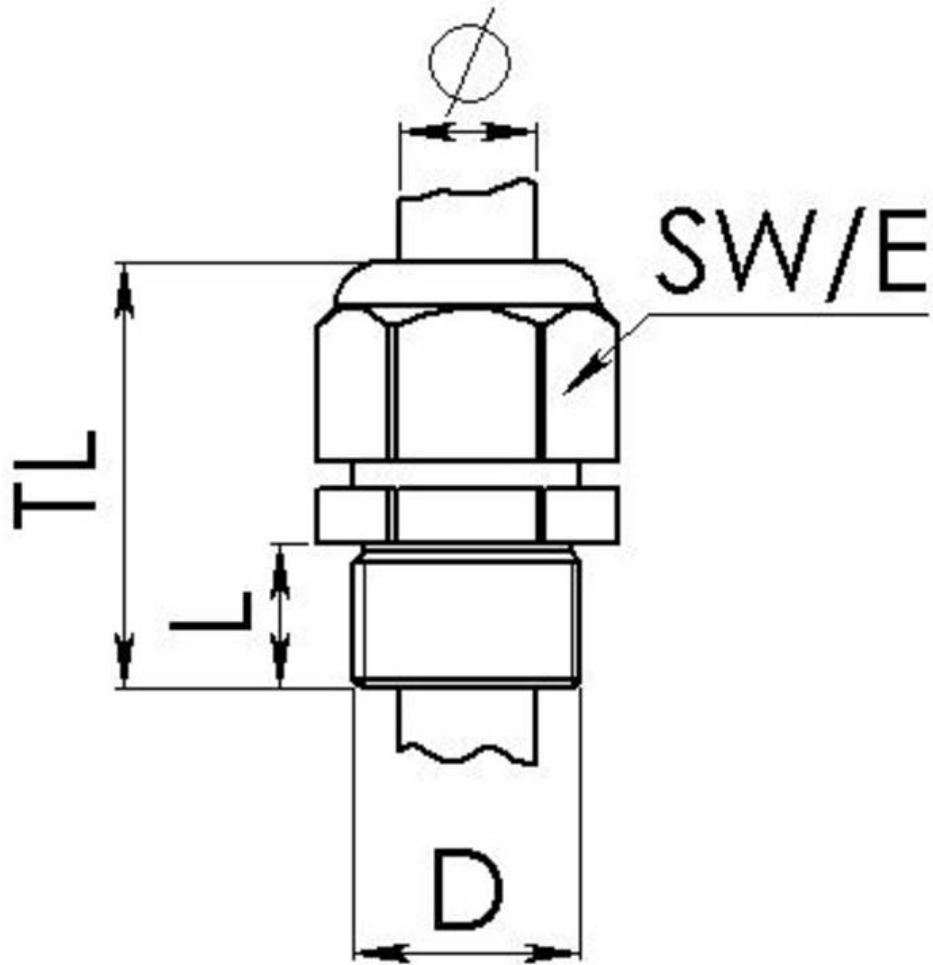
Your Contact:

WISKA Hoppmann GmbH

Kisdorfer Weg 28 · 24568 Kaltenkirchen · Germany

☎ +49-4191-508-0 · 📠 +49-4191-508-209

contact@wiska.de · www.wiska.com



Your Contact:

WISKA Hoppmann GmbH

Kisdorfer Weg 28 · 24568 Kaltenkirchen · Germany

☎ +49-4191-508-0 · 📠 +49-4191-508-209

contact@wiska.de · www.wiska.com